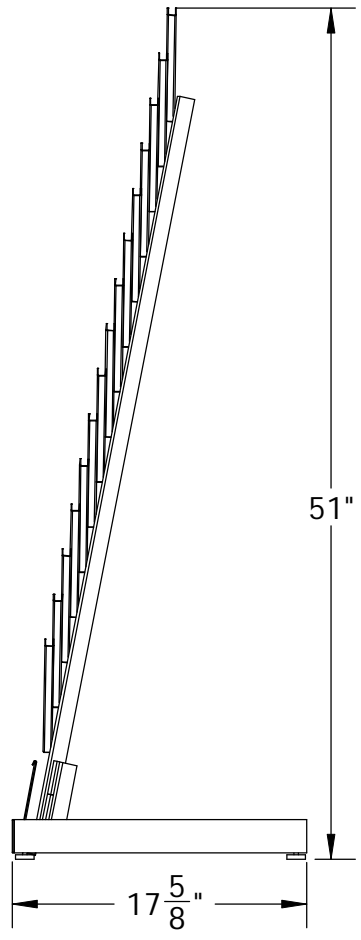
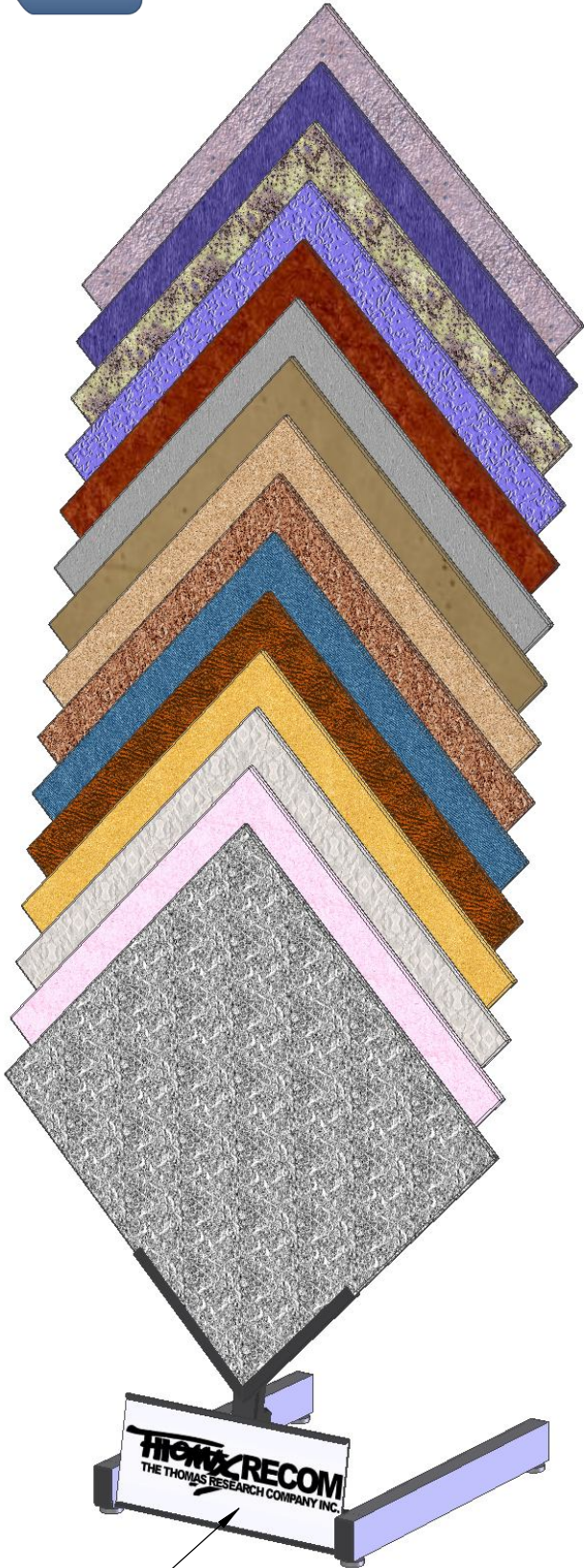
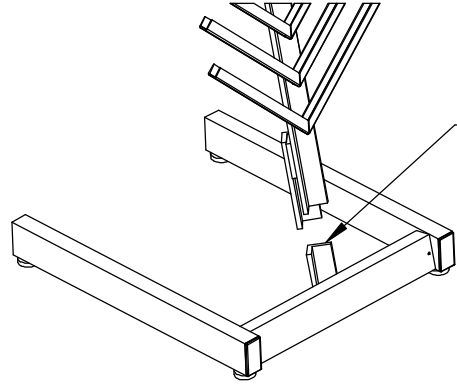


Back

**SINGLE SPINE LADDER TILE DISPLAY (SSL)**  
**DISPLAYS (15) TILES FROM 10" TO 24" AND UP TO 1/2" THICK**  
**FOOT-PRINT: 15"X 17-5/8"**  
**EASY SLIP TOGETHER ASSEMBLY (NO TOOLS NEEDED)**  
**ALL STEEL CONSTRUCTION, POWDERCOATED BLACK**  
**PRICING 1/CTN: \$112.00 EACH**  
**CARTON SIZE: 16X52X6X25LBS**  
**ORDER# SSL**



SLIDE-IN SIGN CHANNEL



SLIP-TOGETHER ASSEMBLY NO TOOLS NEEDED

SLIDE-IN SIGN CHANNEL



**THOMAS RECOM**  
**THE THOMAS RESEARCH COMPANY INC.**  
**1-800-973-2660 WWW.ThomasRECOM.COM**

1-800-973-2660  
www.ThomasRECOM.com  
EMAIL: Mike@ThomasRECOM.com  
2104 Whitlock Place, Dover FL 33527