

Back

### LARGE FORMAT WATERFALL DISPLAY, 16-COUNT ORDER#: LFW16

THIS UNIQUE RACK WILL DISPLAY (16) SAMPLE BOARDS AND TILES UP TO 11/16" THICK.  
(MINIMUM SIZE SAMPLE IS 20" WIDE)

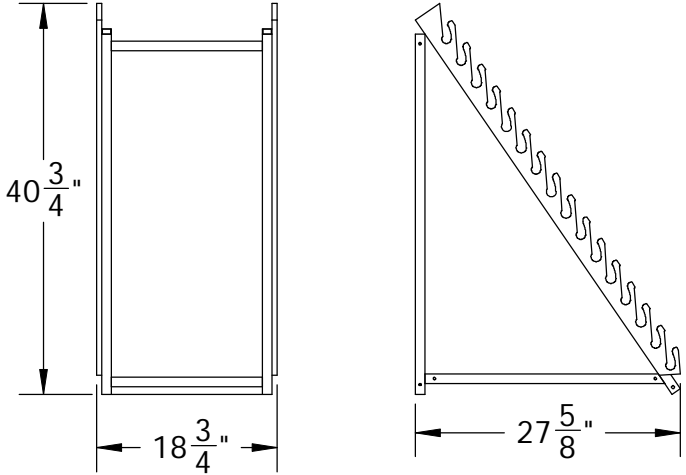
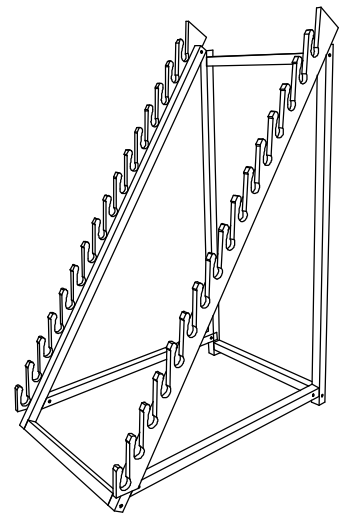
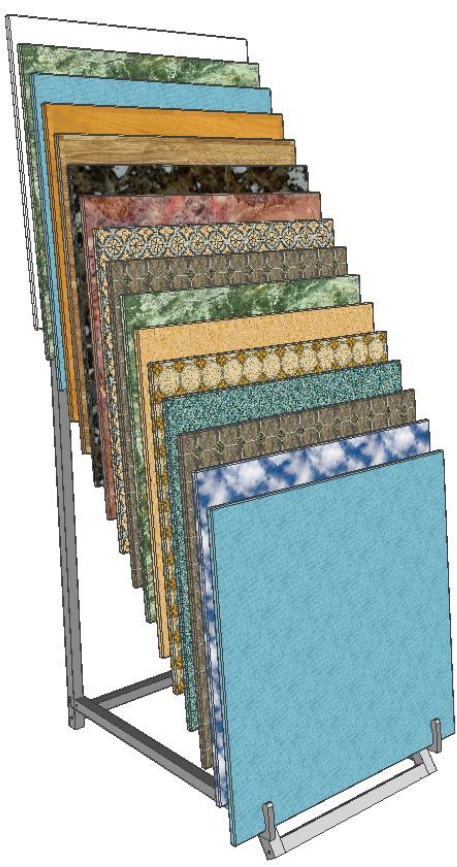
THE SLOTS THAT HOLD YOUR SAMPLES ARE MADE OF DURABLE PLASTIC THAT PROTECTS YOUR SAMPLES

THE SLOTS ARE SHAPED TO ALLOW THE SAMPLES TO BE "FLIPPED" THROUGH BACK AND FORTH

THE STRONG STEEL TUBE STRUCTURE IS POWDERCOATED BLACK

FOOT-PRINT IS 19" WIDE X 28" DEEP X 41" TALL

SHIPPING WEIGHT 27 LBS, CARTON SIZE: 27X3.5X50



WE CAN MAKE THIS DISPLAY IN MANY DIFFERENT SIZES, CONTACT US TO SEE HOW!