

CRADLE DISPLAY ORDER# MAPCRAD ON-SALE ONLY IN-STOCKQTY: (1) **\$31.25**QTY: (5/CTN) **\$27.50/DISPLAY**QTY: (100 OR MORE) PACKED 1/CTN: **\$26.88/DISPLAY**QTY: (100 OR MORE) PACKED BULK: **\$21.88/DISPLAY**

IDEAL FOR SAMPLE BOARDS AND LOOSE TILE OR MANY OTHER ITEMS

COLOR IS MAPLE WOOD-GRAIN

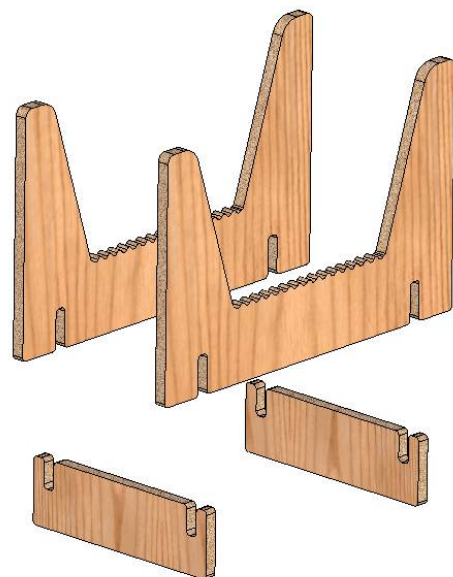
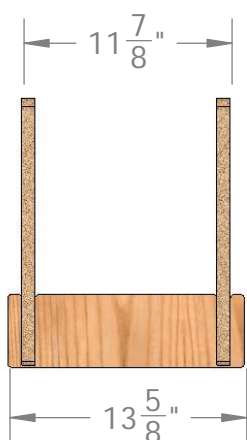
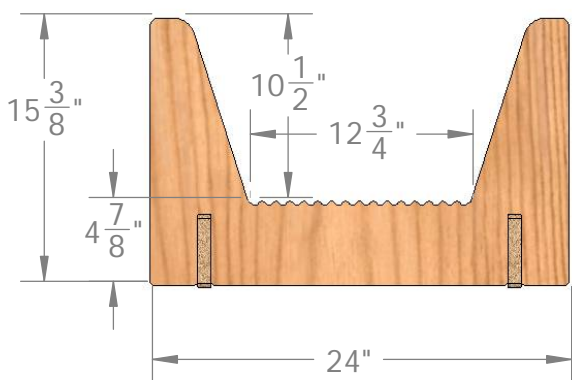
ALSO AVAILABLE IN BLACK

NO TOOLS REQUIRED TO ASSEMBLE FOOT-PRINT: 12"W X 24" DEEP X 15-3/8" TALL

SOLD IN PACK OF 5

CARTON SIZE (5/CTN): 16X24X10, 45 LBS

ACCOMODATES MINIMUM SAMPLE WIDTH OF 12"



SLIP IT TOGETHER NO TOOLS REQUIRED!

WE CAN MAKE THIS DISPLAY IN MANY DIFFERENT SIZES AND CONFIGURATIONS, CONTACT US TO FIND OUT!

THOMAS RECOM
 THE THOMAS RESEARCH COMPANY INC.
 1-800-973-2660 WWW.ThomasRECOM.COM



1-800-973-2660
 www.ThomasRECOM.com
 EMAIL: Mike@ThomasRECOM.com
 2104 Whitlock Place, Dover FI 33527