

Back

ON SALE CRADLE DISPLAY ORDER# CRADBLK

QTY: (1) **\$31.25**

QTY: (5/CTN): **\$23.75/DISPLAY**

QTY: (100 OR MORE) PACKED 1/CTN: **\$27.50/DISPLAY**

IDEAL FOR SAMPLE BOARDS AND LOOSE TILE OR MANY OTHER ITEMS COLOR IS BLACK MELAMINE (ALSO AVAILABLE IN WHITE AND MAPLE COLORS)

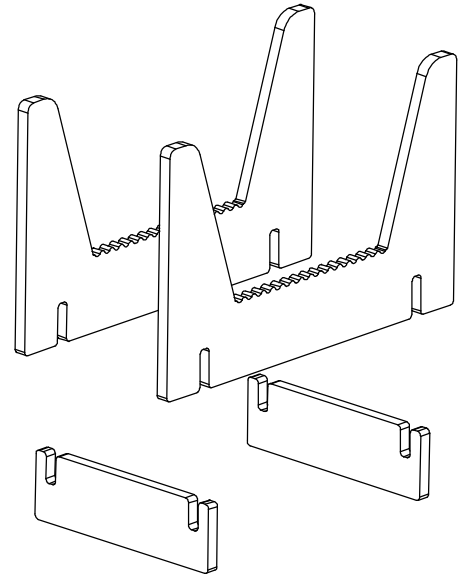
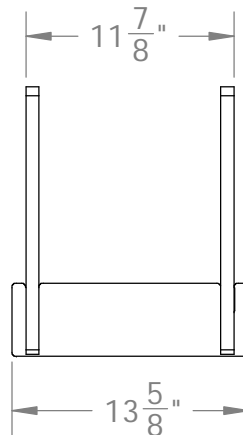
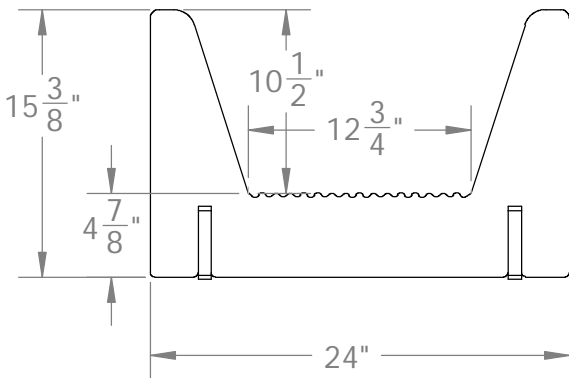
NO TOOLS REQUIRED TO ASSEMBLE

FOOT-PRINT: 12"W X 24" DEEP X 15-3/8" TALL

SOLD IN PACK OF 5

CARTON SIZE (5/CTN): 16X24X10, 45 LBS

ACCOMODATES MINIMUM SAMPLE WIDTH OF 12"



SLIP IT TOGETHER NO TOOLS REQUIRED!

WE CAN MAKE THIS DISPLAY IN MANY DIFFERENT SIZES AND CONFIGURATIONS, CONTACT US TO FIND OUT!



THOMAS RECOM
THE THOMAS RESEARCH COMPANY INC.
1-800-973-2660 WWW.ThomasRECOM.COM

1-800-973-2660

www.ThomasRECOM.com

EMAIL: Mike@ThomasRECOM.com

714 Concordia Blvd. Pensacola, FL 32505