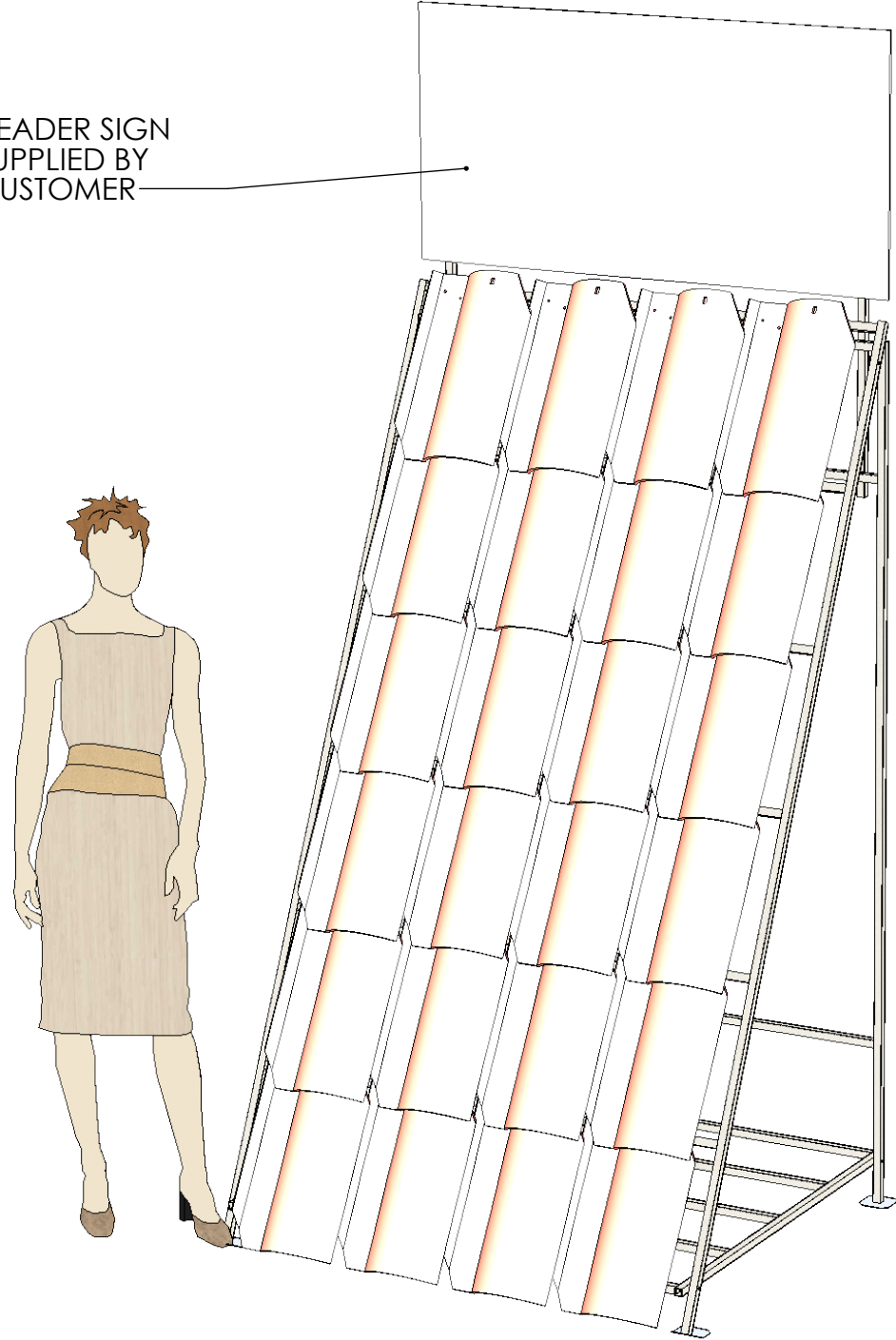
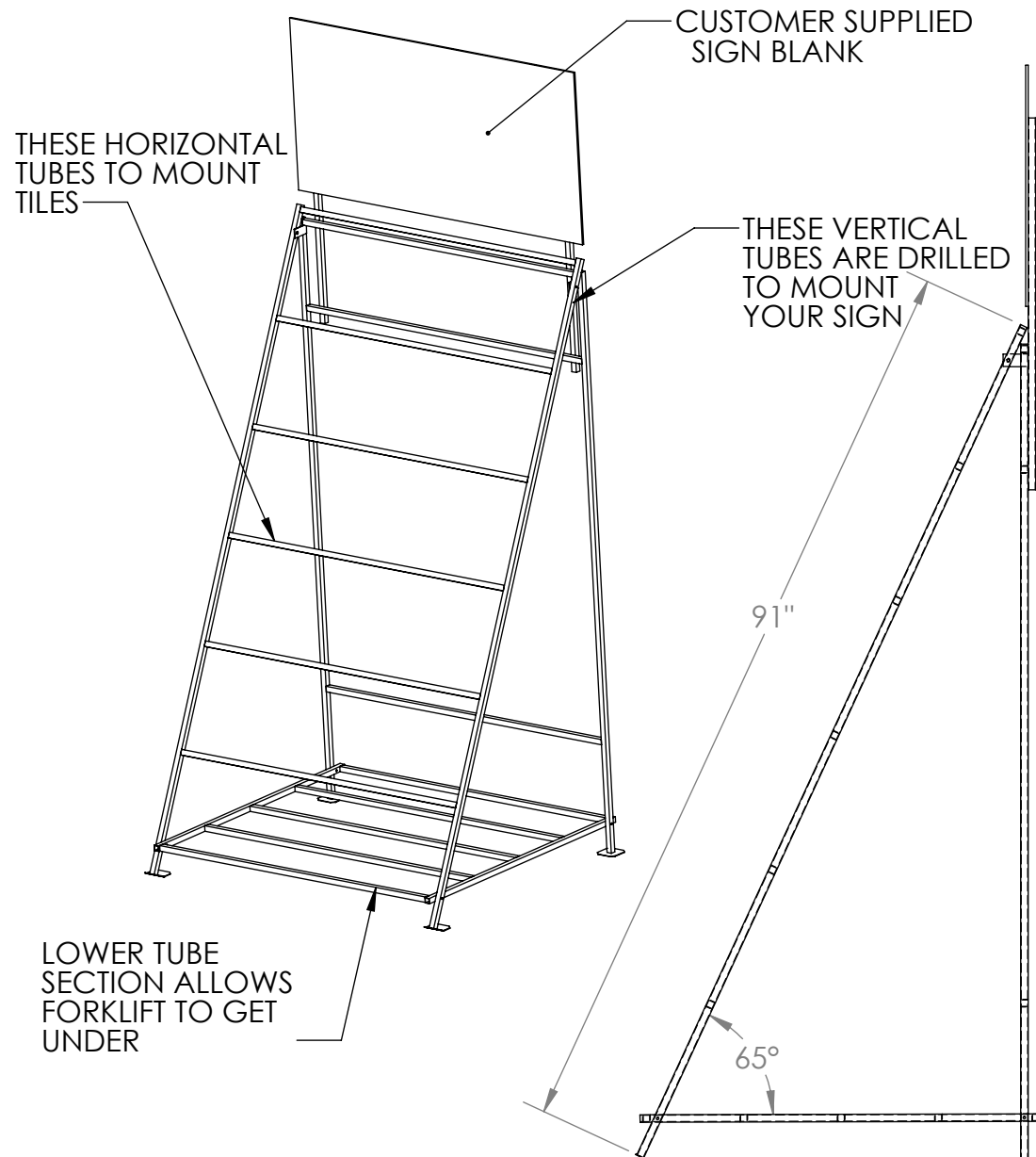
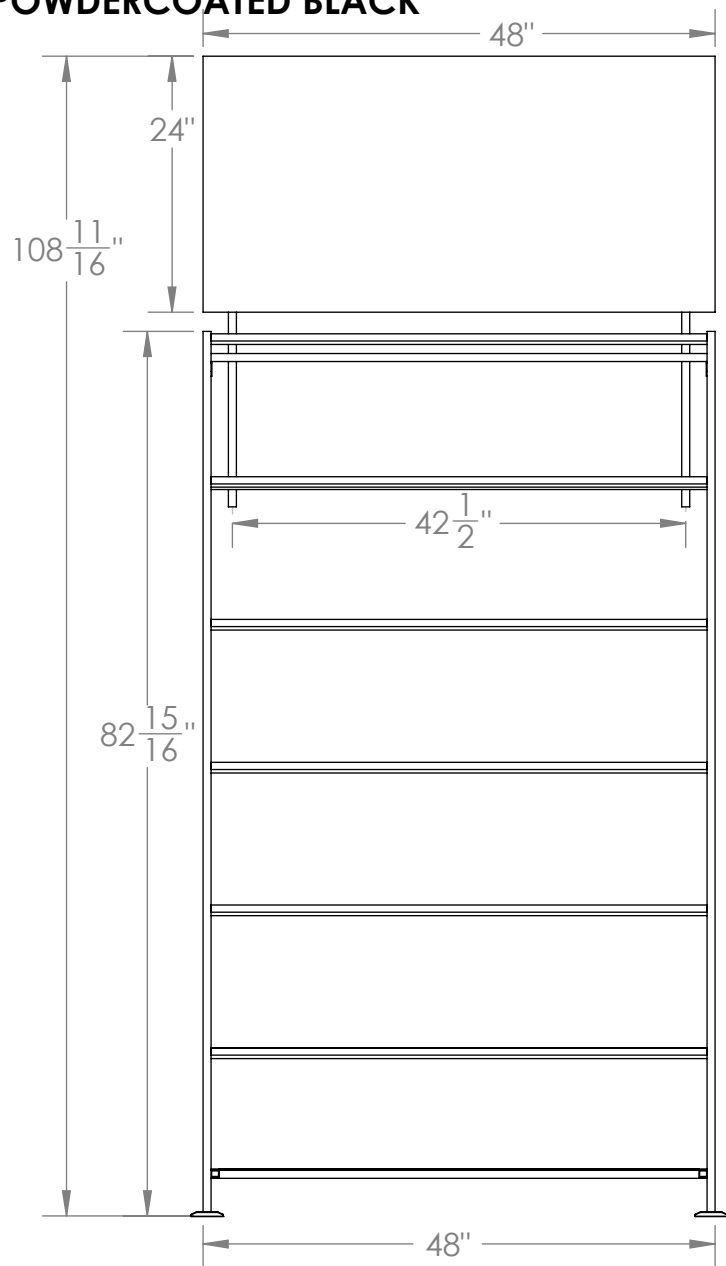


HEADER SIGN
SUPPLIED BY
CUSTOMER

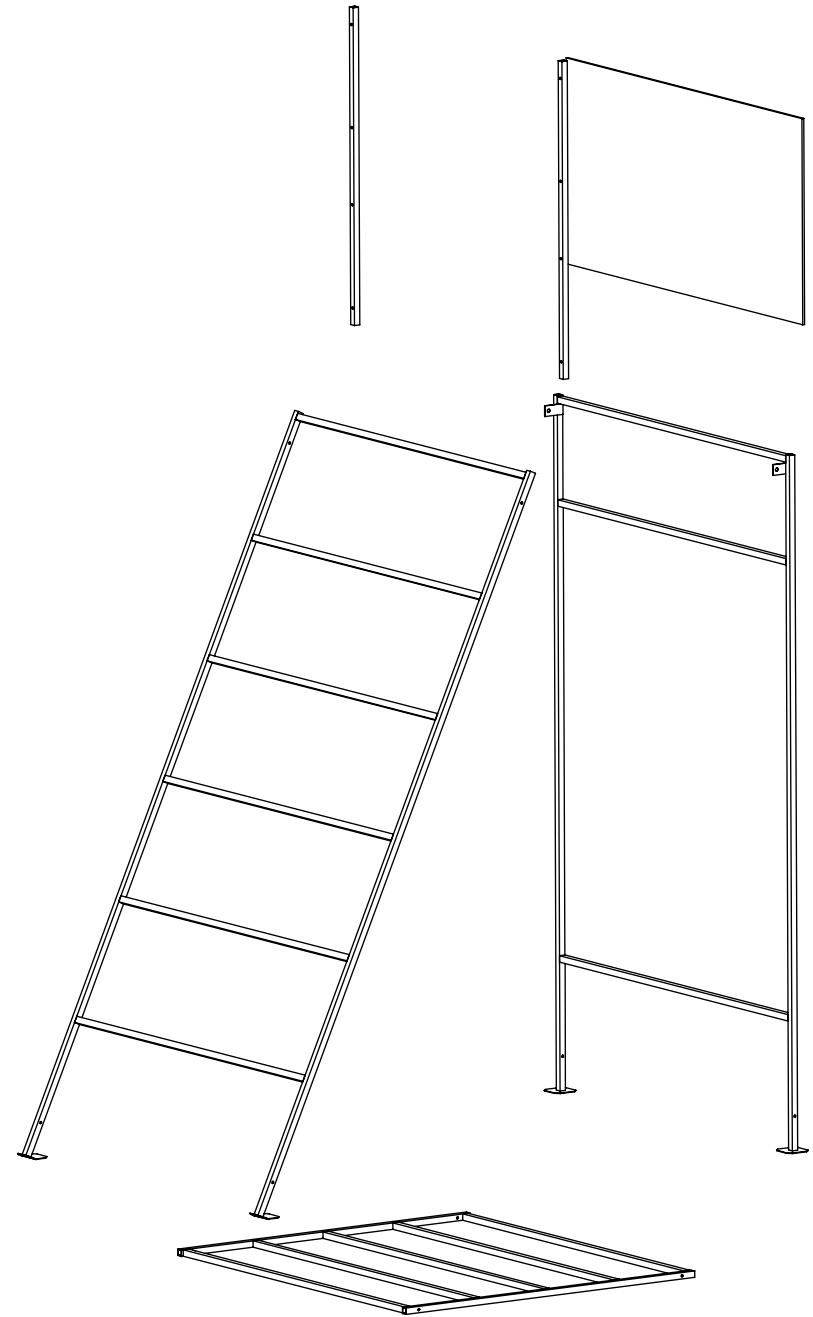


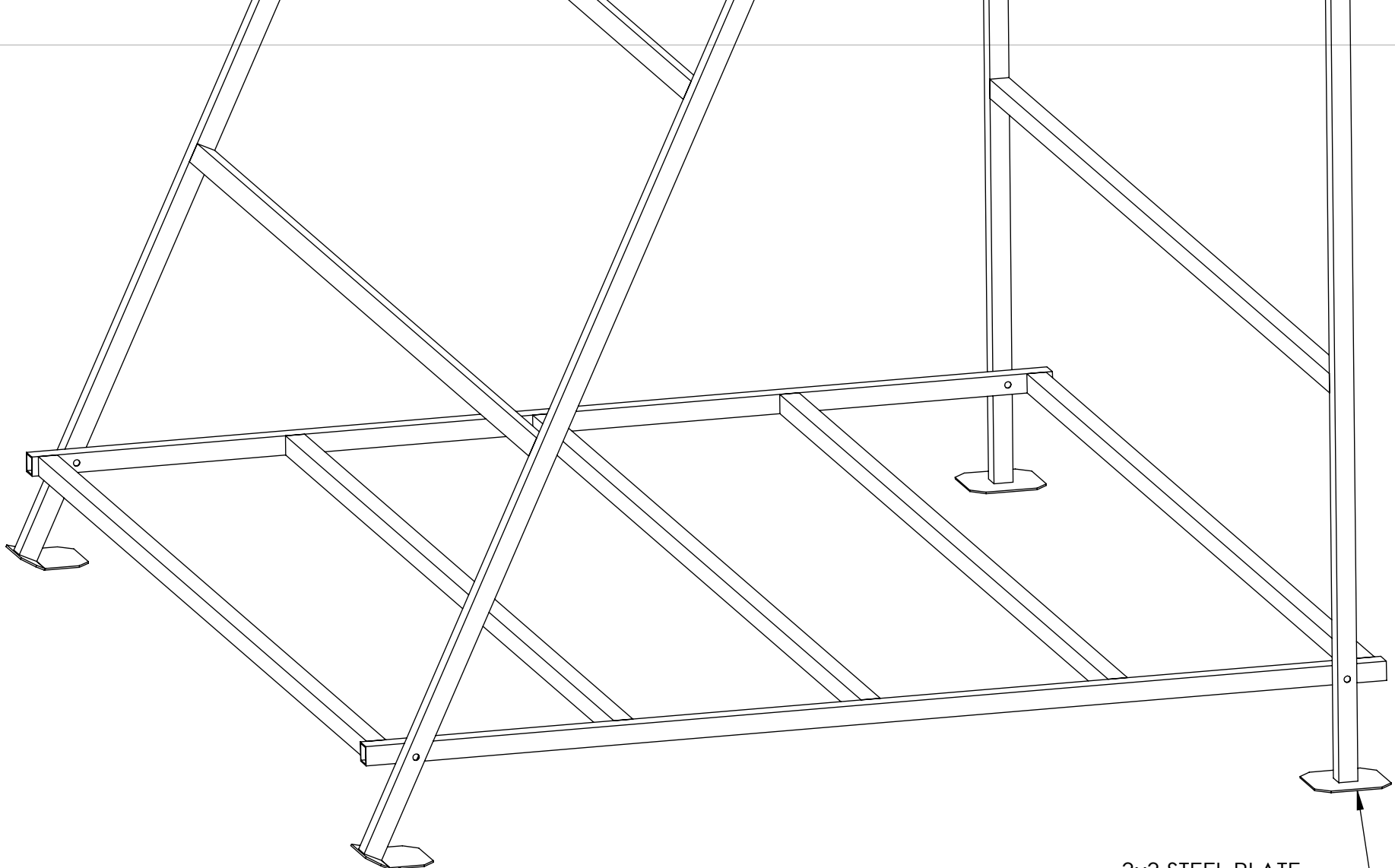
**ALL STEEL SQUARE TUBING
POWDERCOATED BLACK**



**SHIPS FLAT IN FLAT TUBE SECTIONS
THEN ASSEMBLE ON-SITE WITH BOLTS**

**SHIPS FLAT IN FLAT TUBE SECTIONS
THEN ASSEMBLE ON-SITE WITH BOLTS**





3x3 STEEL PLATE
WITH CHAMFERED
CORNERS
WENT TO MATCH
BOTTOM OF TUBE

3x3 STEEL PLATE
WITH CHAMFERED
CORNERS