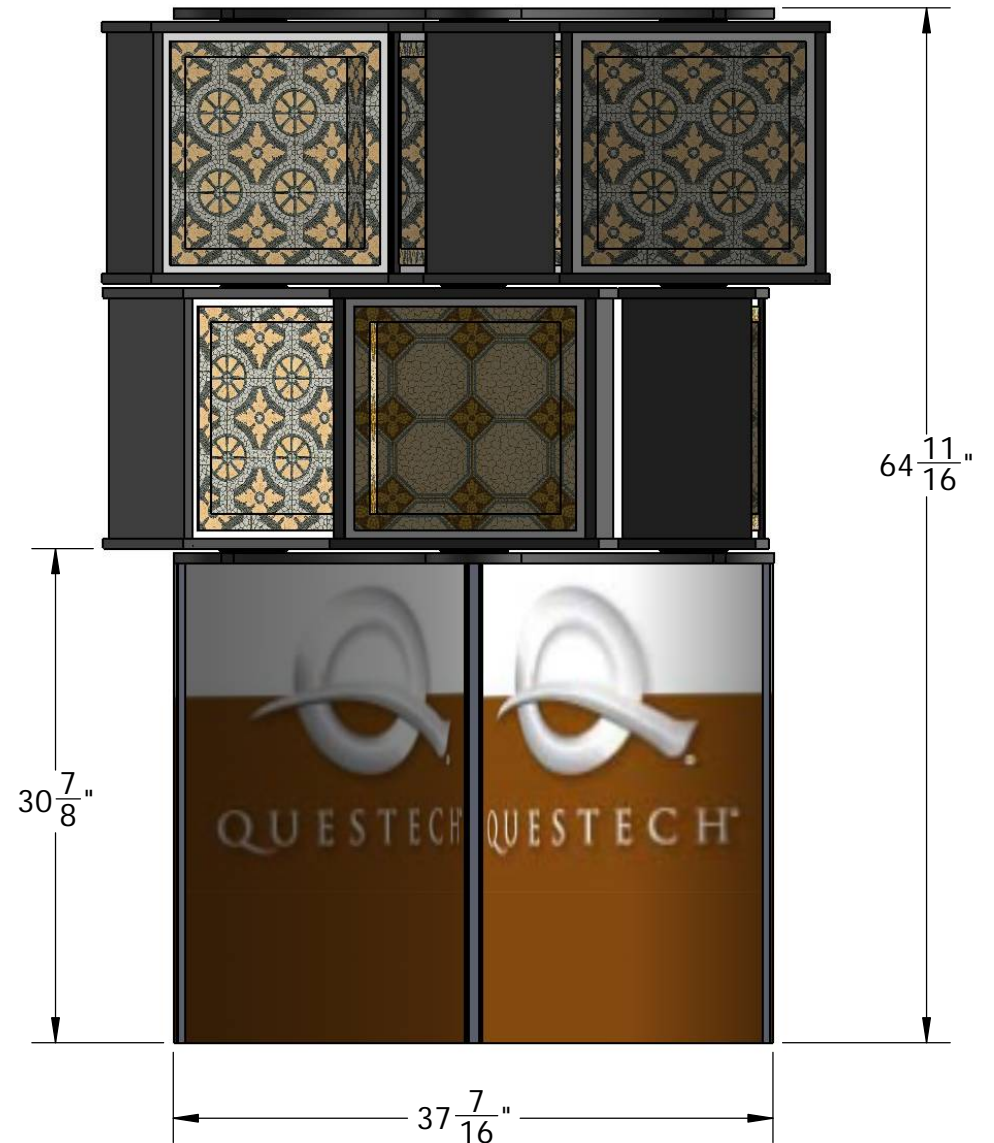
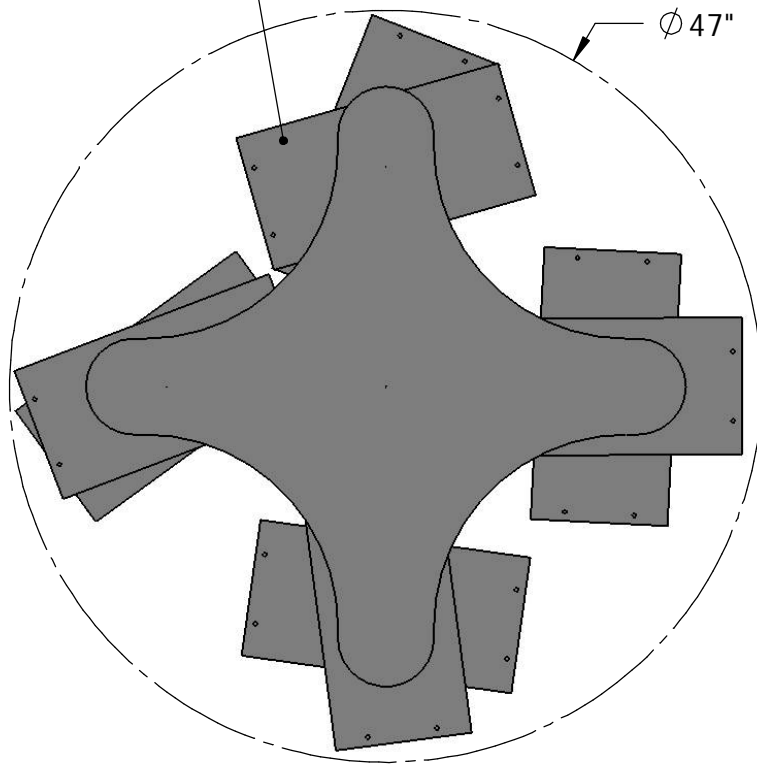


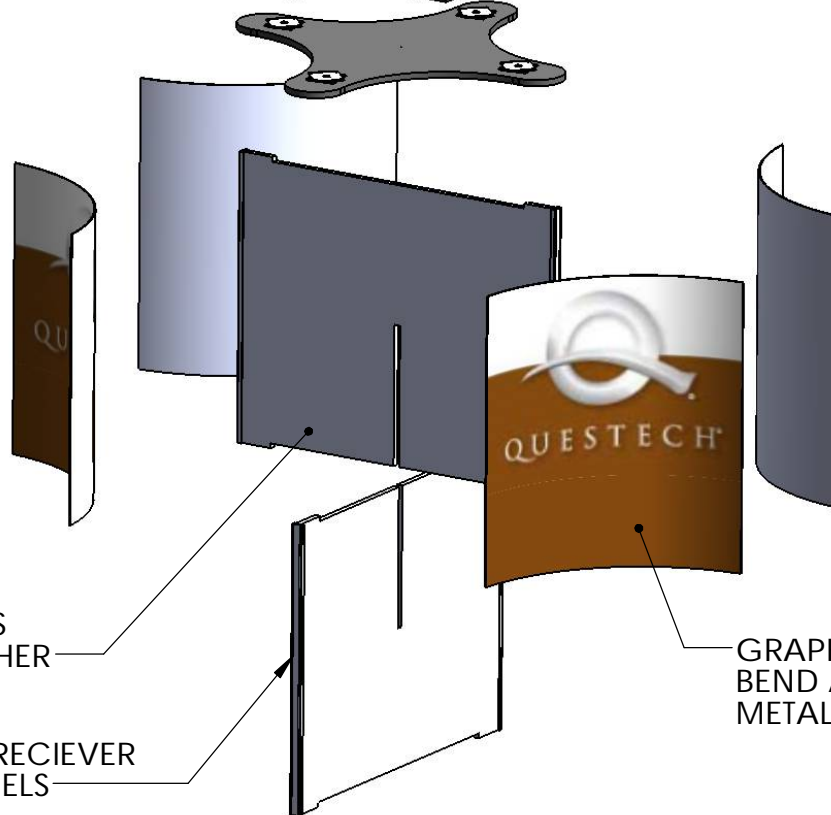
Back



BODY CONSTRUCTION IS BLACK 5/8" THICK MDF

DISPLAY BOXES CAN
BE TURNED INDEPENDENTLY
BY THE CUSTOMER





BASE PANELS
"SLIP" TOGETHER

METAL RECIEVER
CHANNELS

GRAPHIC PANELS
BEND AND SNAP BEHIND
METAL RECEIVER CHANNELS

