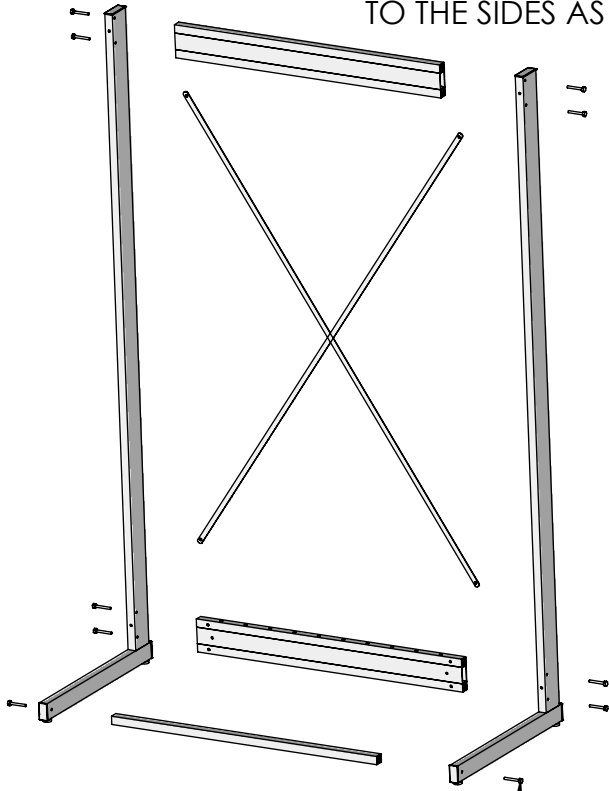




CONNECT ALL THE CROSS-BARS
TO THE SIDES AS SHOWN



ALL THE BOLTS
ARE THE SAME SIZE

ALL THE PANELS ATTACH WITH
BOLTS AS SHOWN.

