

Back

20-COUNT FINGERSLOT, BLACK WATERFALL DISPLAY

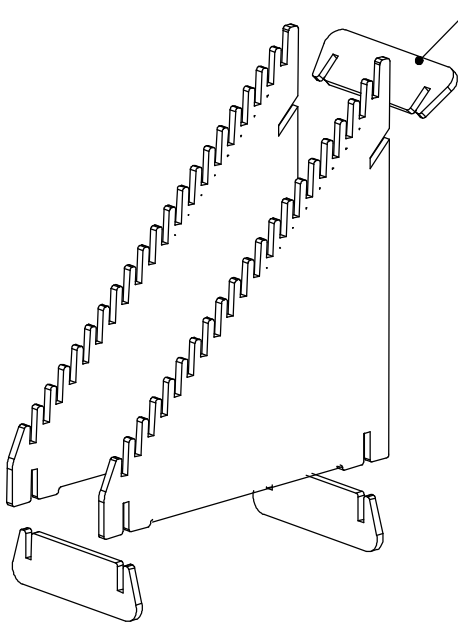
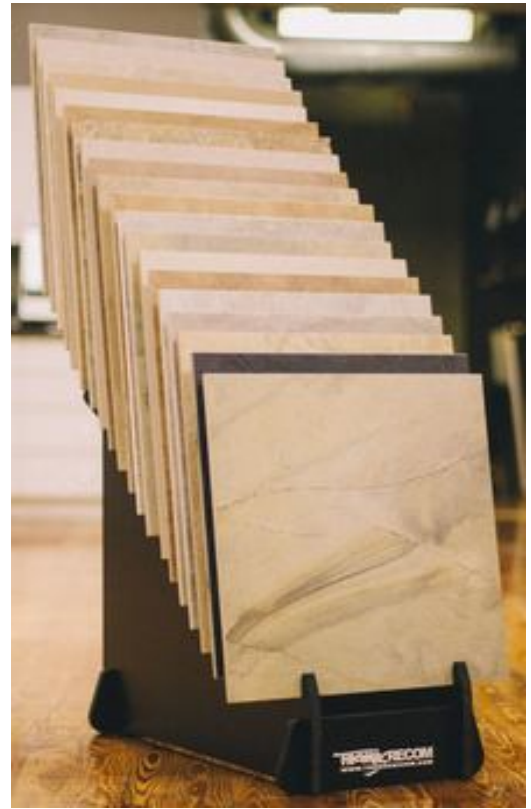
ORDER# 20CFSBLK CANNOT SHIP UPS

QTY: (1) \$56.25

QTY: (QTY 11-74) PACKED 1/CTN: \$47.50/DISPLAY

QTY: (QTY 75-149) PACKED 1/CTN: \$46.25/DISPLAY

QTY: (QTY 150+) PACKED 1/CTN: \$43.75/DISPLAY

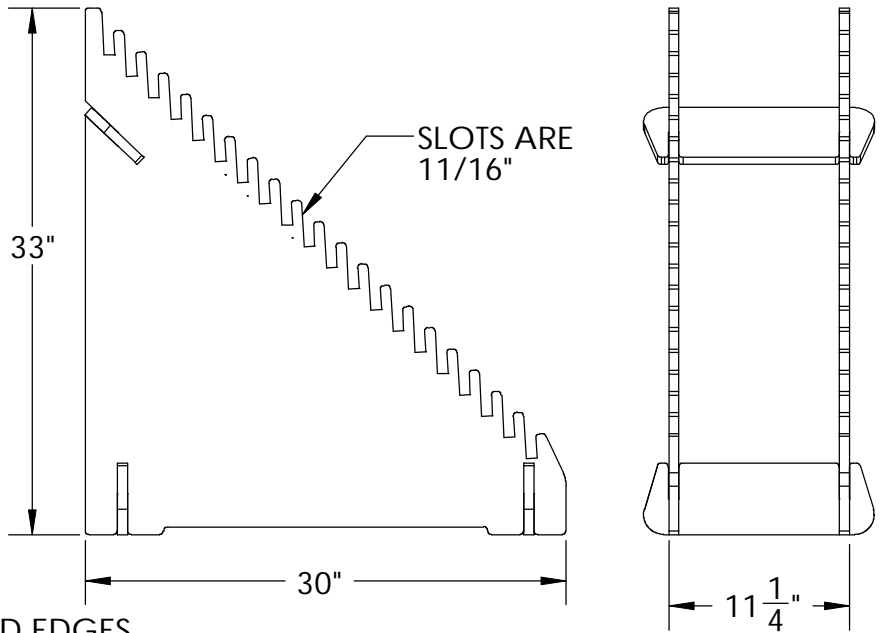


SIMPLE "SLIP-TOGETHER" ASSEMBLY (NO TOOLS REQUIRED)

WE CAN SCREEN-PRINT YOUR LOGO TOO!
CALL TO FIND OUT: 1-800-973-2660

HOLDS 20 SAMPLES
IN-STOCK!!!

MINIMUM TILE WIDTH: 12" WIDE:
MAXIMUM TILE WIDTH: 24" WIDE:
STD COLOR: BLACK WITH BLACK PAINTED EDGES
OTHER COLORS ARE AVAILABLE
MAXIMUM TILE THICKNESS: 5/8" (.625")
WE CAN MAKE OTHER SIZE SLOTS
FOOTPRINT: 14-1/2" WIDE X 30" DEEP X 33" TALL
WEIGHT 22 LBS



VISIT OUR WEBSITE FOR LOTS OF COLOR PHOTOS
www.ThomasRECOM.com



1-800-973-2660
www.ThomasRECOM.com
EMAIL: Mike@ThomasRECOM.com
714 Concordia Blvd. Pensacola, FL 32505