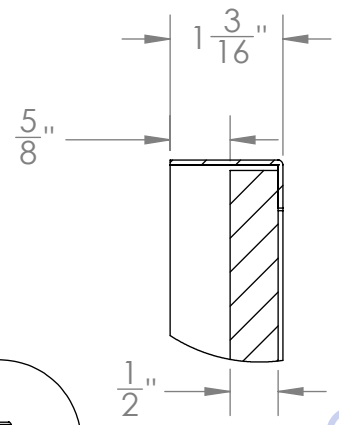
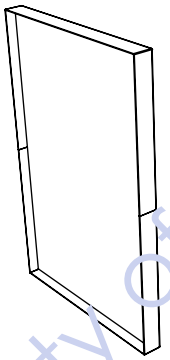


Back

18 ga. STEEL FRAME
POWDERCOAT WHITE

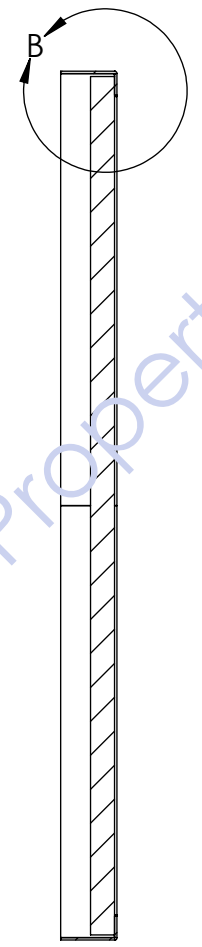
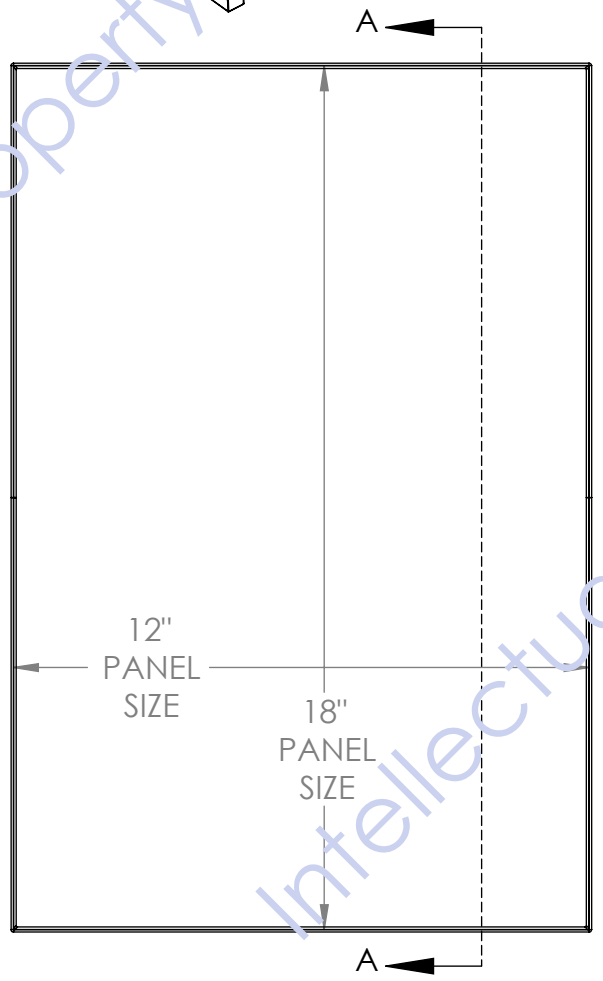
SCREWS IN
THESE HOLES
(4X)

MDF



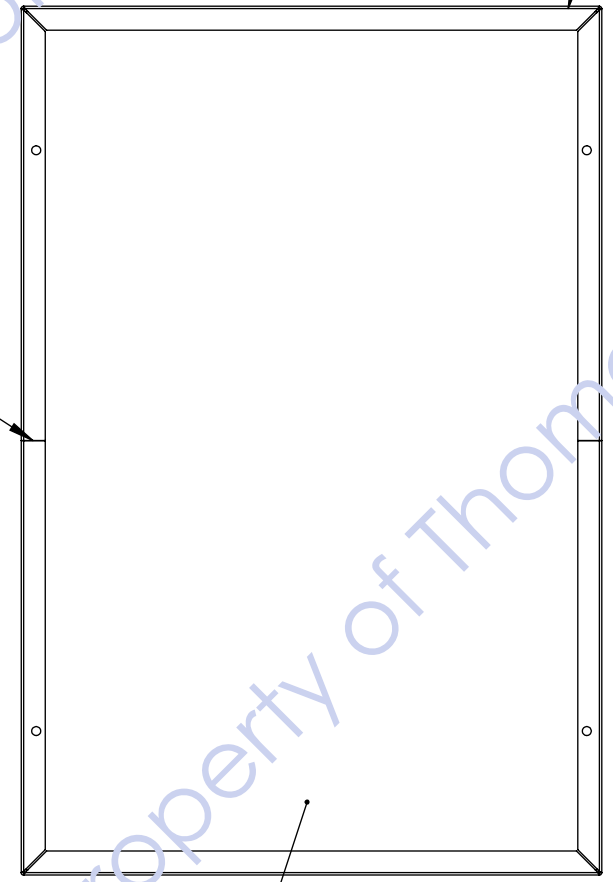
DETAIL B
SCALE 1:2

STEEL FRAME



SECTION A-A

TACK



MDF