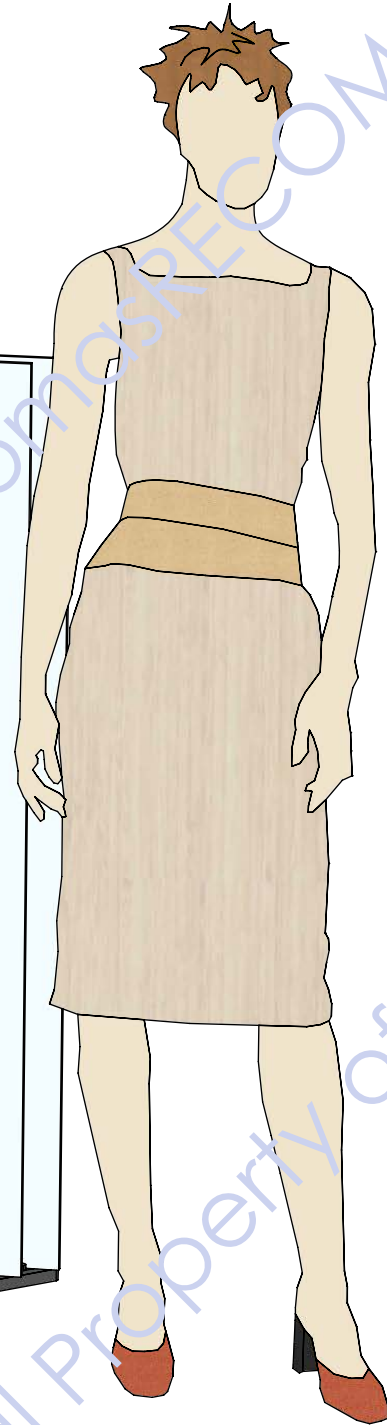
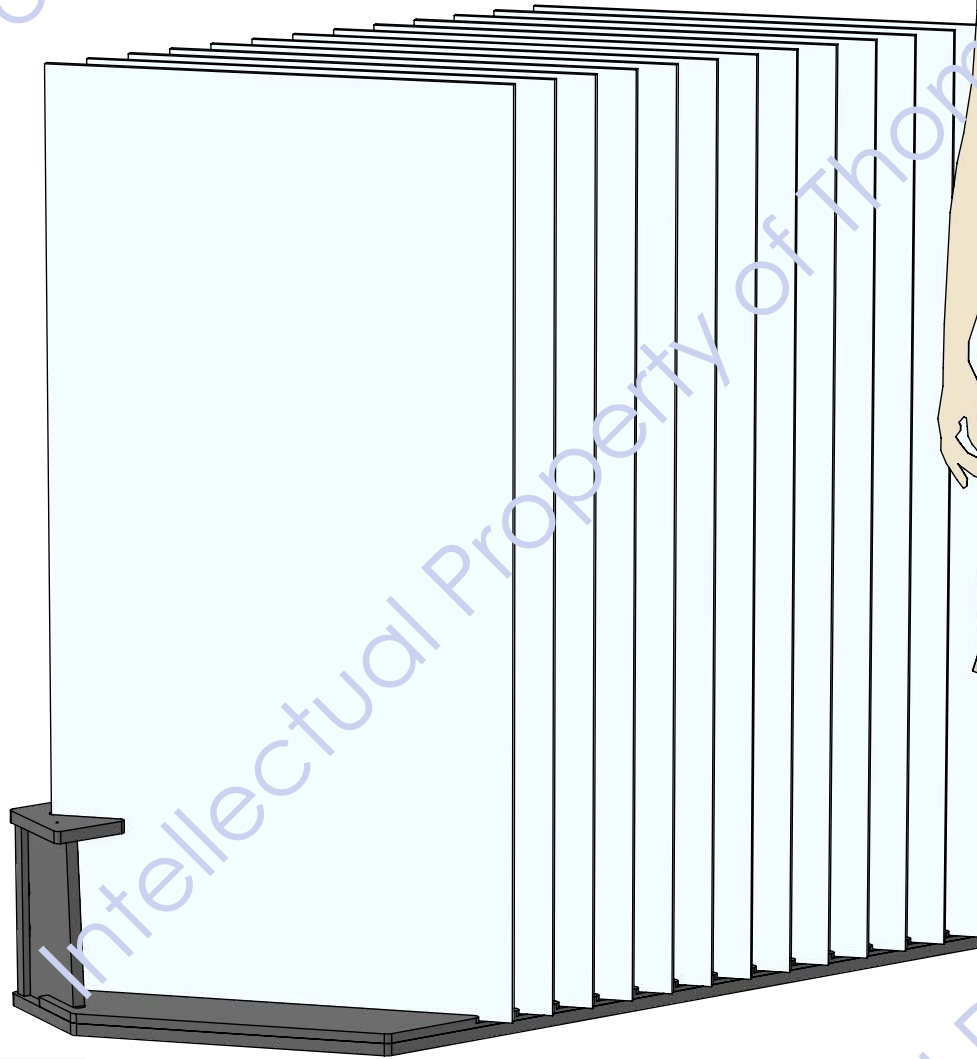
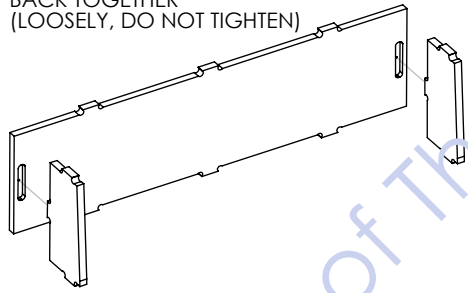


Back

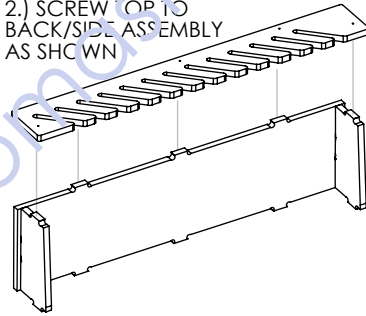
THIS IS "RIGHT HAND"



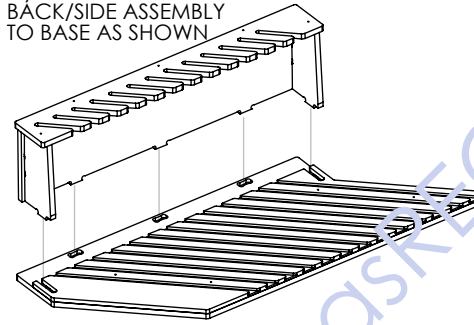
1.) SCREW SIDES AND BACK TOGETHER (LOOSELY, DO NOT TIGHTEN)



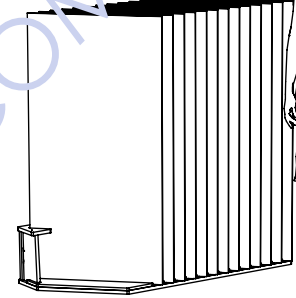
2.) SCREW TOP TO BACK/SIDE ASSEMBLY AS SHOWN



3.) SCREW TOP TO BACK/SIDE ASSEMBLY TO BASE AS SHOWN



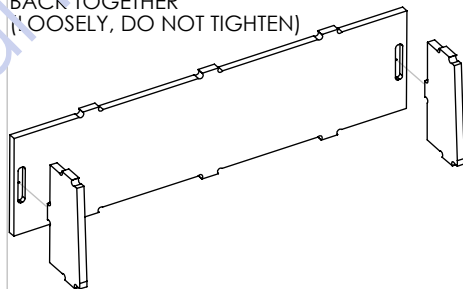
4. FINISH TIGHT ALL SCREWS



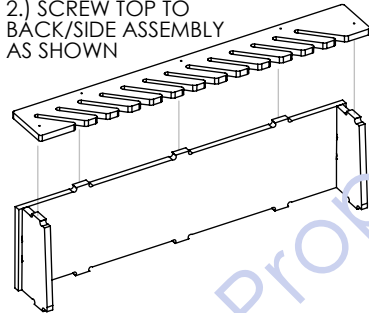
5.) SELL PRODUCT!



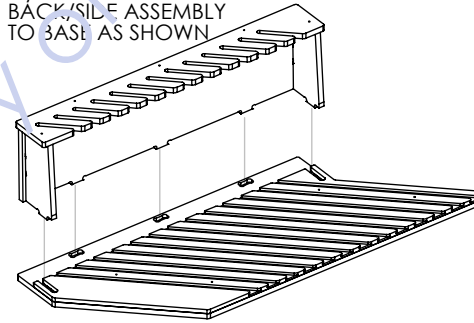
1.) SCREW SIDES AND BACK TOGETHER (LOOSELY, DO NOT TIGHTEN)



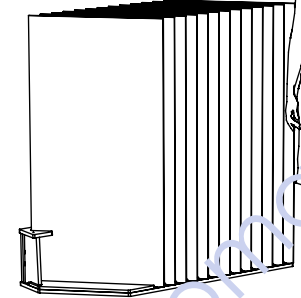
2.) SCREW TOP TO BACK/SIDE ASSEMBLY AS SHOWN



3.) SCREW TOP TO BACK/SIDE ASSEMBLY TO BASE AS SHOWN



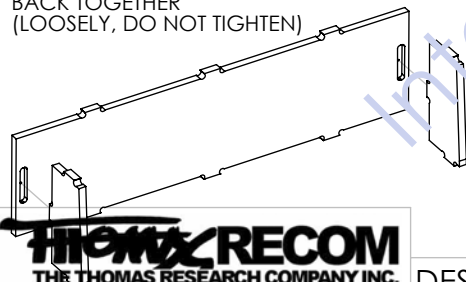
4. FINISH TIGHT ALL SCREWS



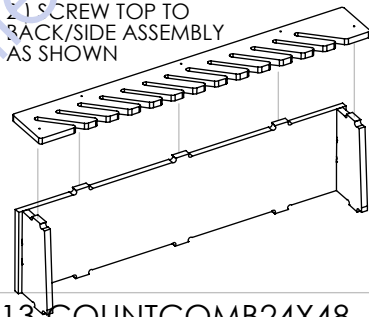
5.) SELL PRODUCT!



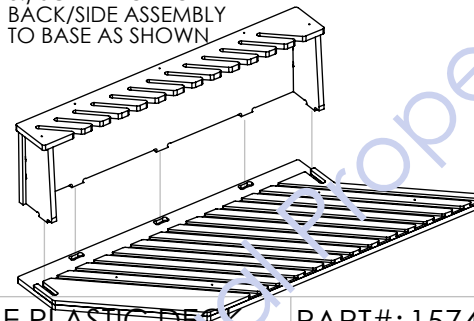
1.) SCREW SIDES AND BACK TOGETHER (LOOSELY, DO NOT TIGHTEN)



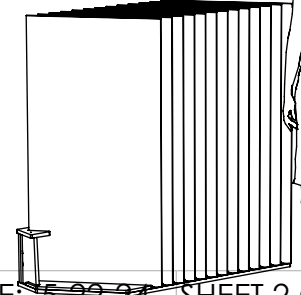
2.) SCREW TOP TO BACK/SIDE ASSEMBLY AS SHOWN



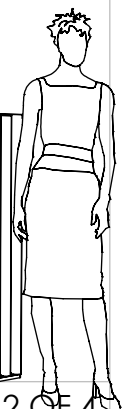
3.) SCREW TOP TO BACK/SIDE ASSEMBLY TO BASE AS SHOWN

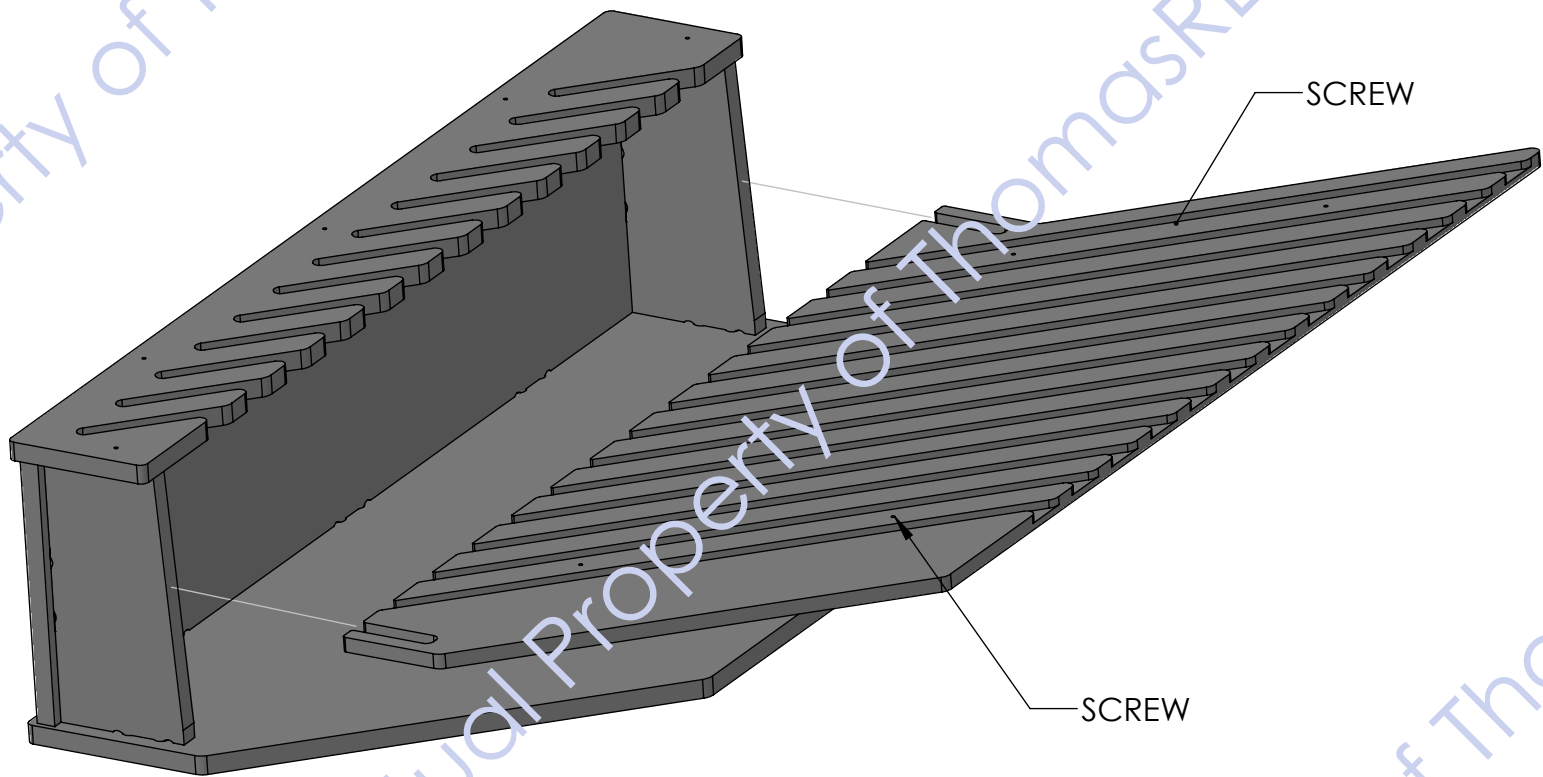


4. FINISH TIGHT ALL SCREWS



5.) SELL PRODUCT!





THIS IS "RIGHT HAND"

