

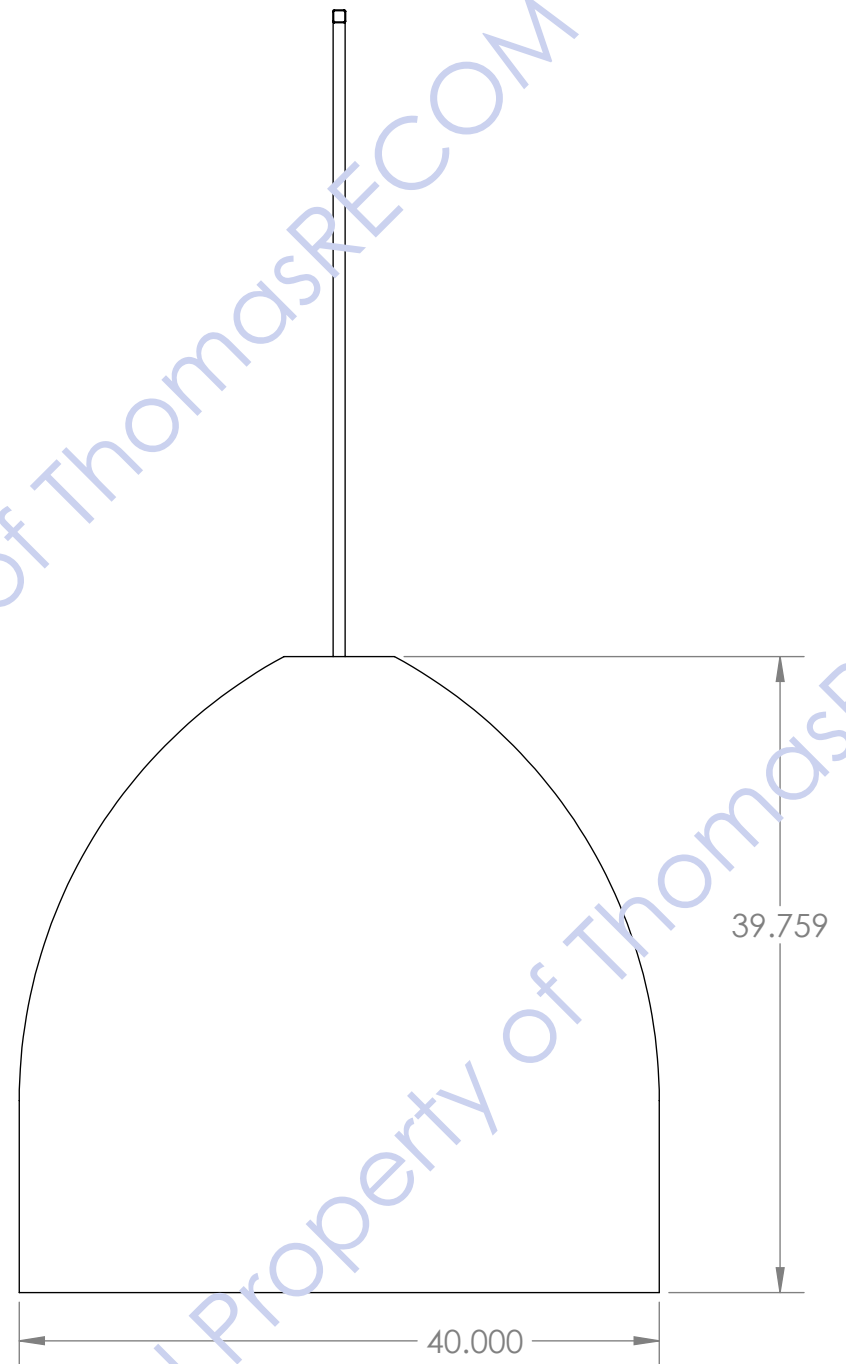
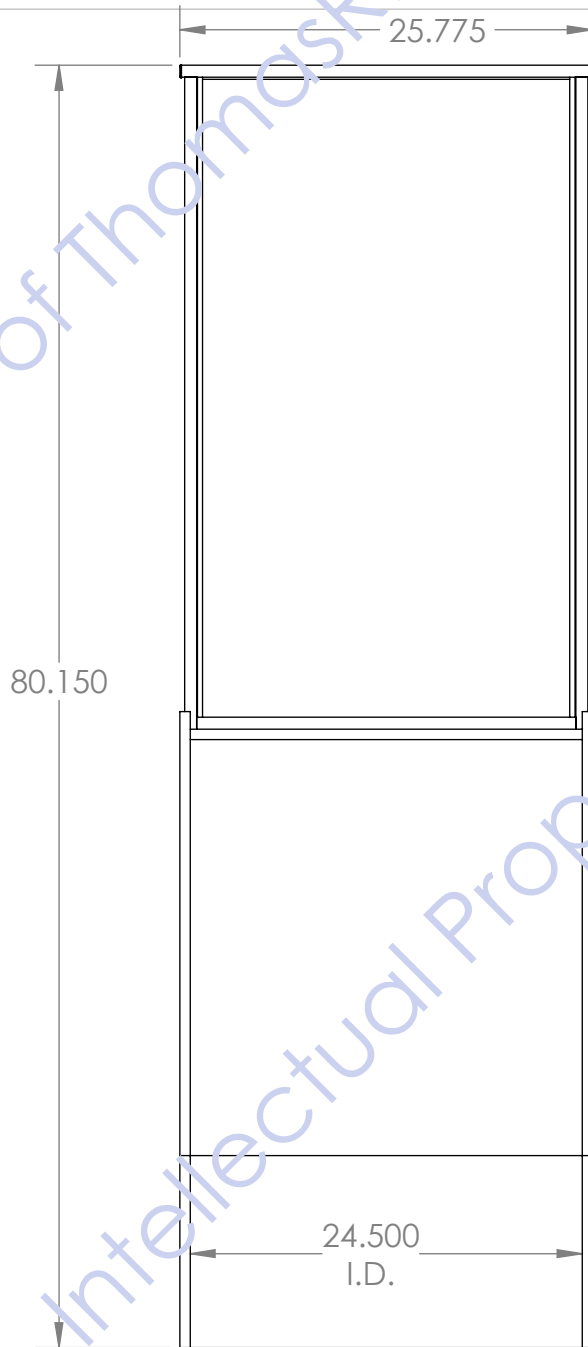
TOP TUBE BOLTS INTO
TOP OF VERTICAL TUBES

24-1/2" X 40"
X 1/4"
MDF PANEL
DROPS IN
FROM TOP

CHANNELS ON INSIDE
OF VERTICAL TUBING

TUBE FRAME
ASSEMBLY JUST
DROPS INTO RECEIVER
HOLES IN TOP

5/8" THICK MDF
SIDE PANELS



METAL UPPER SIGN ASSEMBLY

