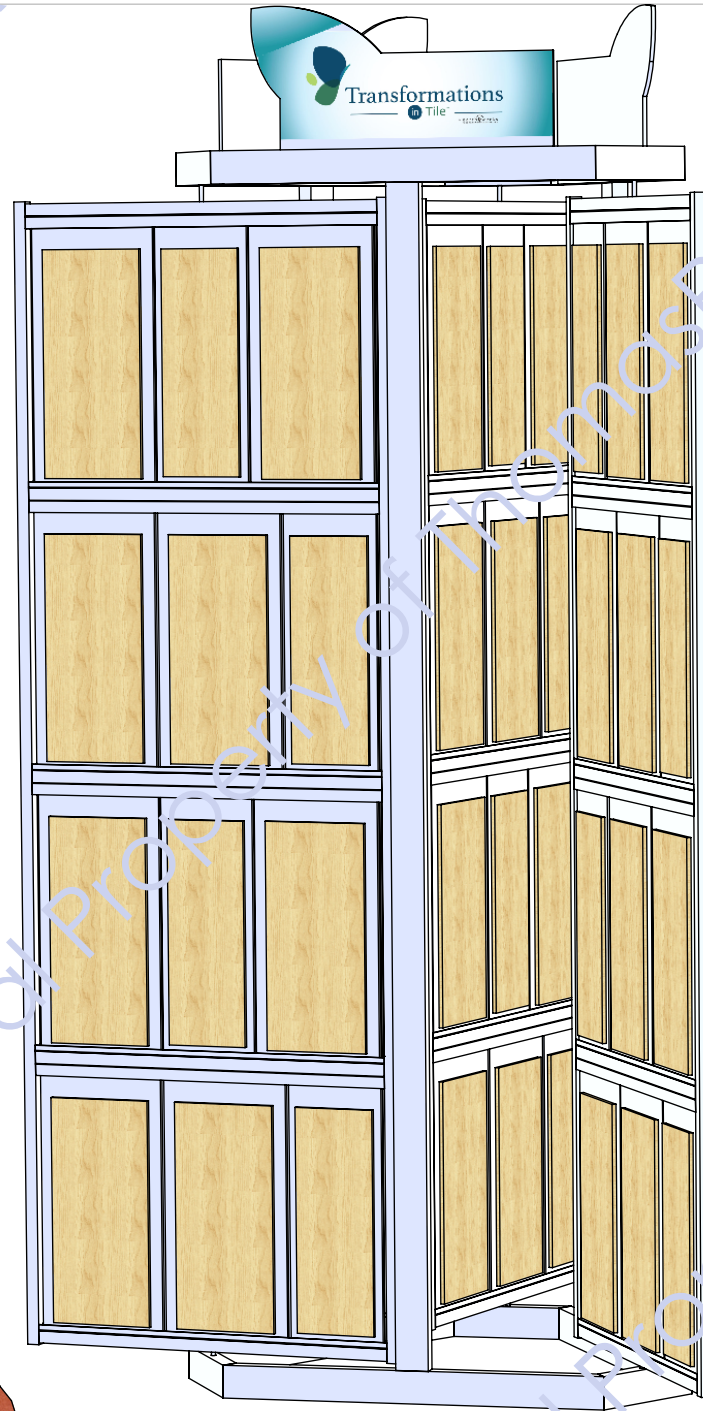
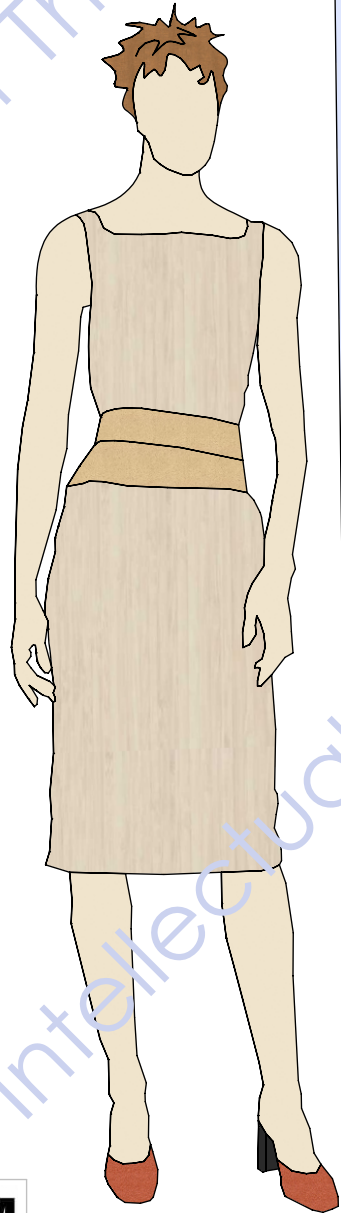
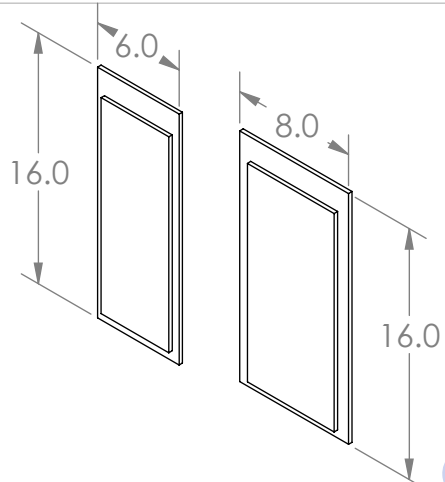
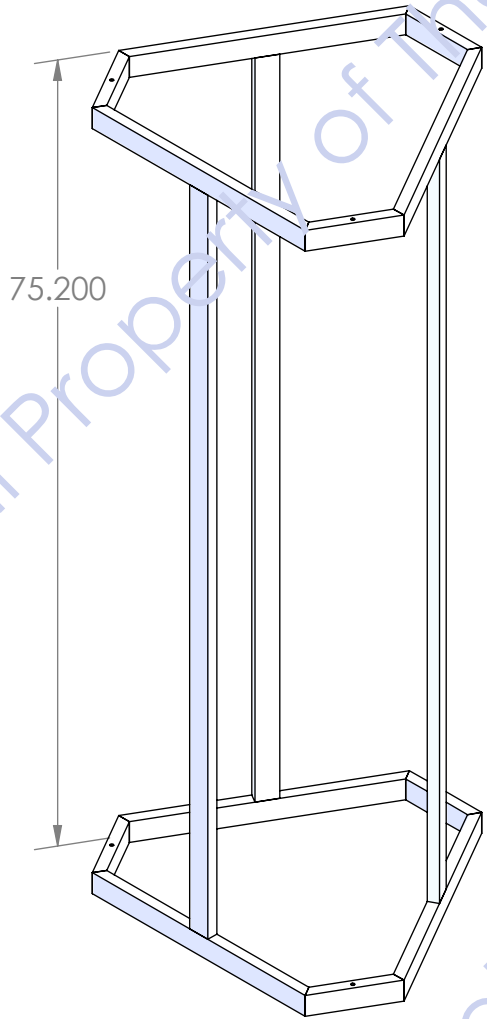


Back





SAMPLE INSTALLED  
BY INSERTING INTO  
UPPER CHANNEL  
FIRST THEN DROP INTO  
BOTTOM CHANNEL

