

Back

11CFS_1-1/8
11-COUNT FINGERSLOT
(BIG SLOT), BLACK
WATERFALL DISPLAY

ACCOMODATES SAMPLES
UP TO 1-1/16" THICK

QTY: (QTY 1-10) **\$50.00**

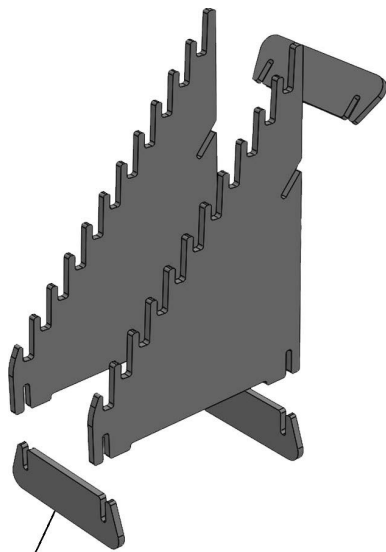
QTY: (QTY 11-49) PACKED 1/CTN: **\$42.50/DISPLAY**

QTY: (QTY 50-99) BULK PACKED: **\$36.25/DISPLAY**

QTY: (QTY 50-99) PACKED 1/CTN: **\$41.25/DISPLAY**

QTY: (QTY 100 +) BULK PACKED: **\$35.63/DISPLAY**

QTY: (QTY 100 +) PACKED 1/CTN: **\$40.00/DISPLAY**



SIMPLE
"SLIP-TOGETHER"
ASSEMBLY
(NO TOOLS REQUIRED)

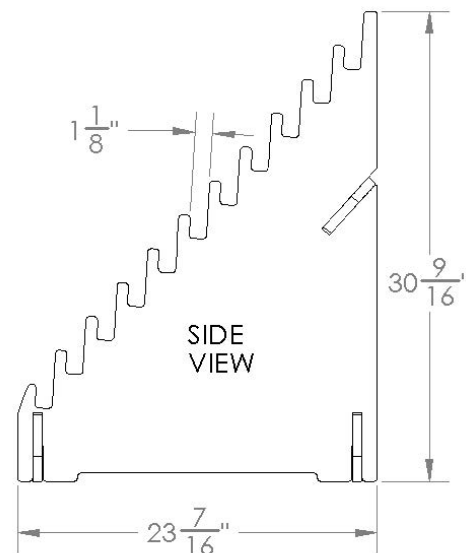
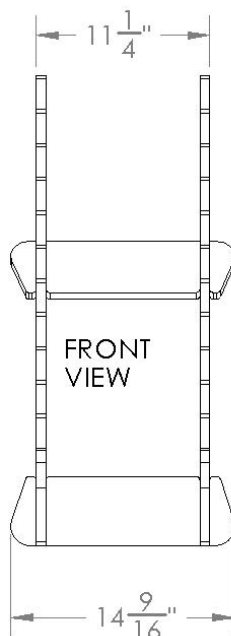


WE CAN SCREEN-PRINT YOUR
LOGO TOO! CALL TO FIND
OUT: 1-800-973-2660



IN-STOCK!!!
HOLDS 11 SAMPLES

MINIMUM TILE WIDTH: 12" WIDE:
MAXIMUM TILE WIDTH: 24" WIDE
STD COLOR: BLACK WITH BLACK PAINTED EDGES
OTHER COLORS ARE AVAILABLE
MAXIMUM TILE THICKNESS: 1-1/16" (1.0625")
WE CAN MAKE OTHER SIZE SLOTS
FOOTPRINT: 14-1/2" WIDE X 24" DEEP X 30" TALL
WEIGHT 18 LBS
UPS BOX SIZE 27" X 34" X 3" X 25LBS (1/CTN)



THOMAS RECOM
THE THOMAS RESEARCH COMPANY INC.
1-800-973-2660 WWW.ThomasRECOM.COM

1-800-973-2660
www.ThomasRECOM.com
EMAIL: Mike@ThomasRECOM.com
2104 Whitlock Place, Dover Fl 33527