

Back

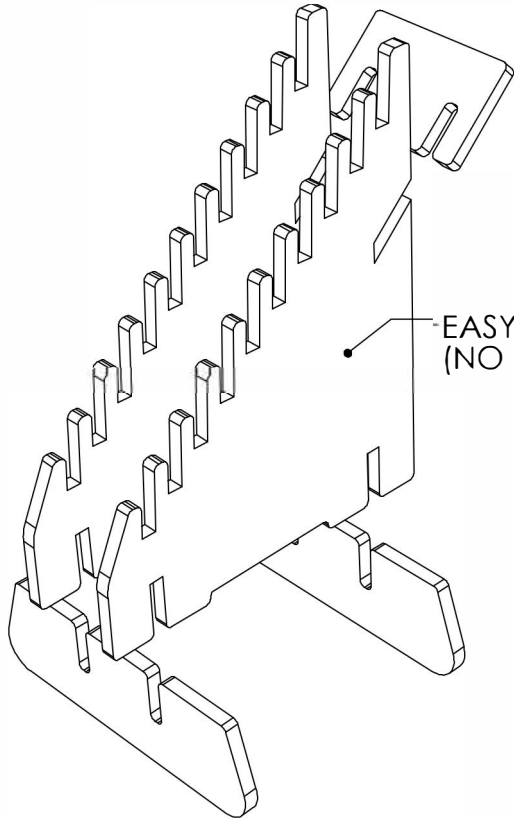
**NARROW 10-COUNT FINGERSLOT
(BLACK) ORDER# 10CFSNARBLK**

QTY: (1) \$30.00

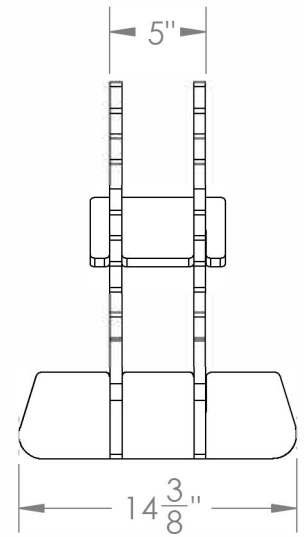
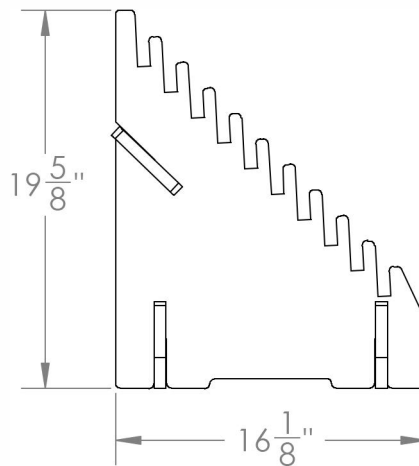
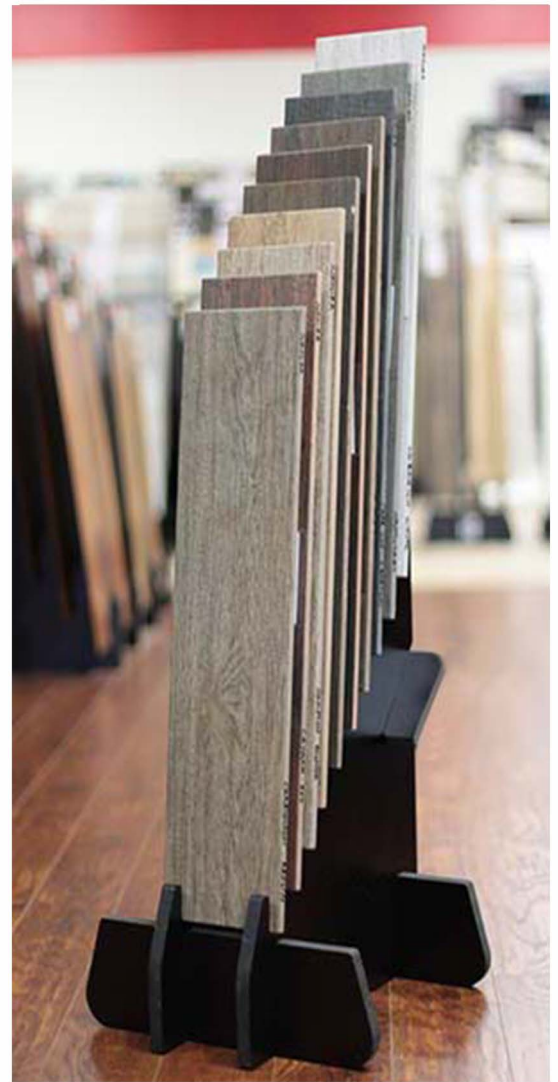
QTY: (5) IN A CARTON: \$25.00/DISPLAY

QTY: (QTY 10-74) PACKED 1/CTN: \$26.25/DISPLAY

QTY: (QTY 100+) PACKED 1/CTN: \$25.63/DISPLAY



EASY "SLIP-FIT" ASSEMBLY
(NO TOOLS REQUIRED)



HOLDS 10 SAMPLES
MINIMUM PLANK WIDTH: 5-1/2"
STANDARD BLACK WITH BLACK PAINTED EDGES
OTHER COLORS ARE AVAILABLE
MAXIMUM TILE THICKNESS IS 5/8"
WE CAN MAKE OTHER SIZE SLOTS
FOOTPRINT: 14-3/8" WIDE X 16-1/8" DEEP X 19-5/8"
TALL WEIGHT 12LBS
BOX SIZE 24"X21"X10" 55LBS/5 PER CARTON

THOMAS RECOM
THE THOMAS RESEARCH COMPANY INC.
1-800-973-2660 WWW.ThomasRECOM.COM

1-800-973-2660
www.ThomasRECOM.com
EMAIL: Mike@ThomasRECOM.com
714 Concordia Blvd. Pensacola, FL 32505

