

10-COUNT FINGERSLOT, BLACK WATERFALL DISPLAY

Back

ORDER# 10CFSBLK

QTY: (1) **\$31.25**

QTY: (5) IN A CARTON: **\$23.75/DISPLAY**

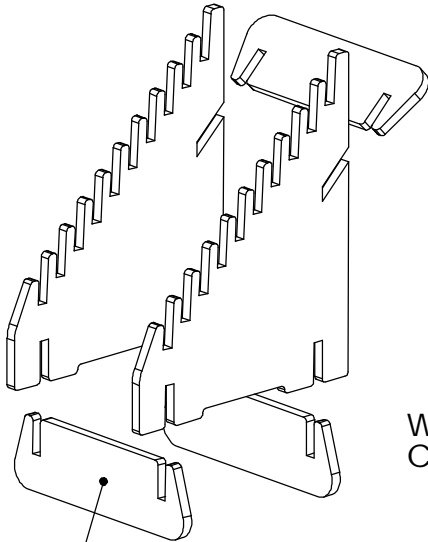
QTY: (QTY 10-99) BULK PACKED **\$22.50/DISPLAY**

QTY: (QTY 10-99) PACKED 1/CTN: **\$27.50/DISPLAY**

QTY: (QTY 10-99) BULK PACKED: **\$22.50/DISPLAY**

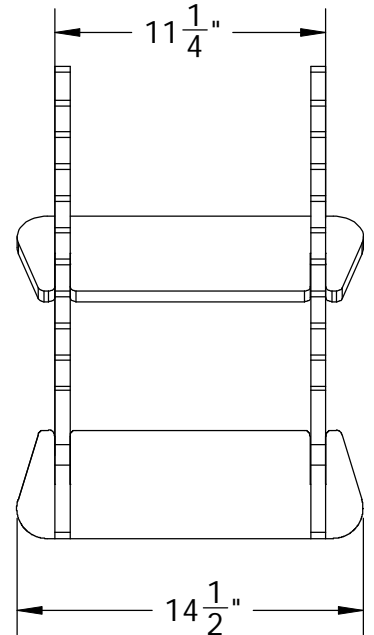
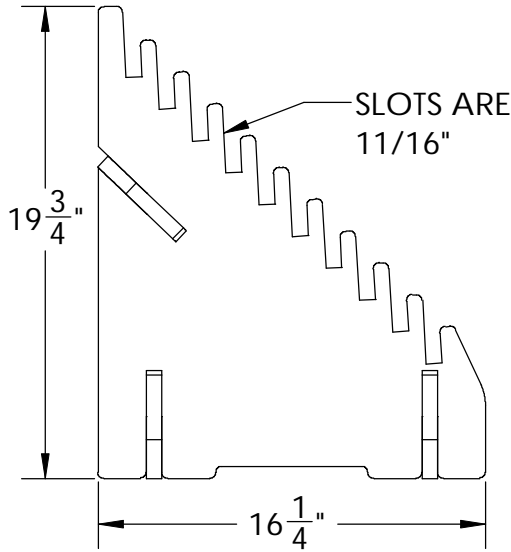
QTY: (QTY 100+) PACKED 1/CTN: **\$26.88/DISPLAY**

QTY: (QTY 100+) BULK PACKED: **\$21.88/DISPLAY**



WE CAN SCREEN-PRINT YOUR LOGO TOO!
CALL TO FIND OUT: 1-800-973-2660

SIMPLE
"SLIP-TOGETHER"
ASSEMBLY
(NO TOOLS REQUIRED)



IN-STOCK!!!

HOLDS 10 SAMPLES

MINIMUM TILE WIDTH: 12" WIDE:
MAXIMUM TILE WIDTH: 24" WIDE:
STD COLOR: BLACK WITH BLACK PAINTED EDGES
OTHER COLORS ARE AVAILABLE
MAXIMUM TILE THICKNESS: 5/8" (.625")
WE CAN MAKE OTHER SIZE SLOTS
FOOTPRINT: 14-1/2" WIDE X 16" DEEP X 20" TALL
WEIGHT 12 LBS
UPS BOX SIZE 26"X26"X11" 55LBS/5PACK

BOX SIZE 26"X26"X 3" 12LBS 1/CTN



THOMAS RECOM
THE THOMAS RESEARCH COMPANY INC.
1-800-973-2660 WWW.ThomasRECOM.COM

1-800-973-2660
www.ThomasRECOM.com
EMAIL: Mike@ThomasRECOM.com
2104 Whitlock Place, Dover FL 33527