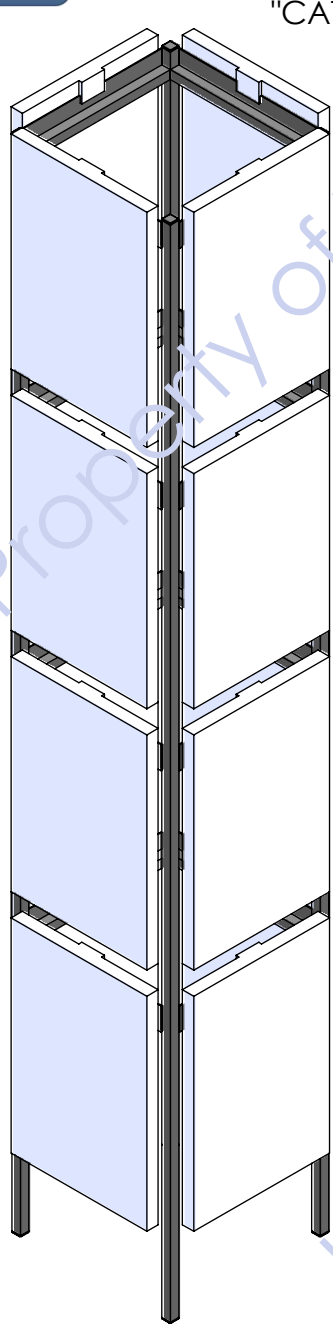


Back

SHEET-METAL
"CATCH PLATES"

ALL **3/4"** SQ. TUBE CONSTRUCTION
POWDERCOAT BLACK



20.000

2.0

84.000

14.000

.541

125

18.000

12.000