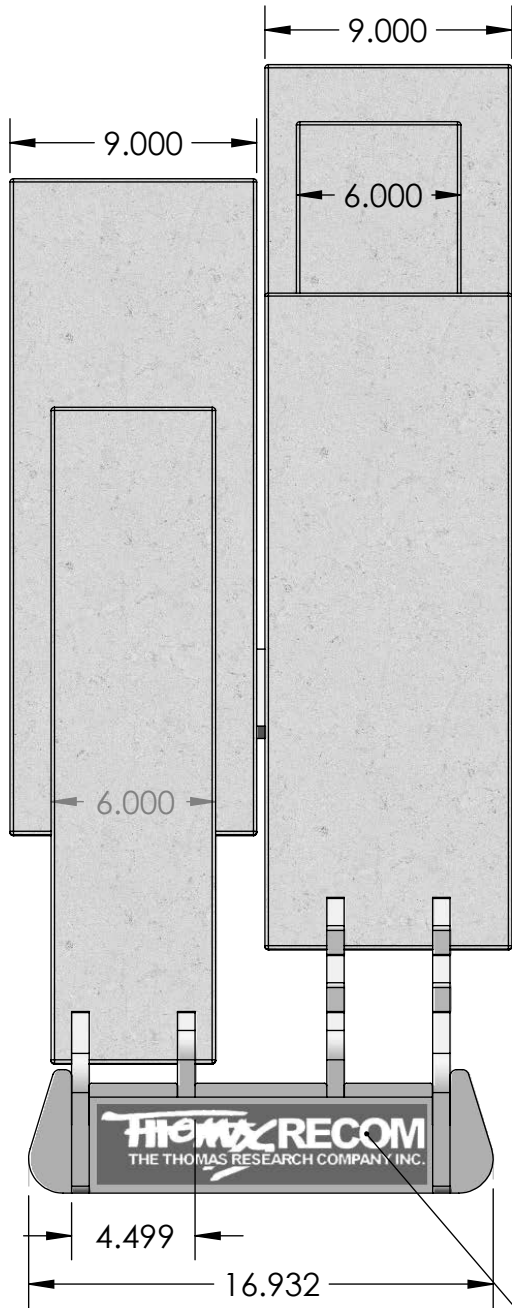
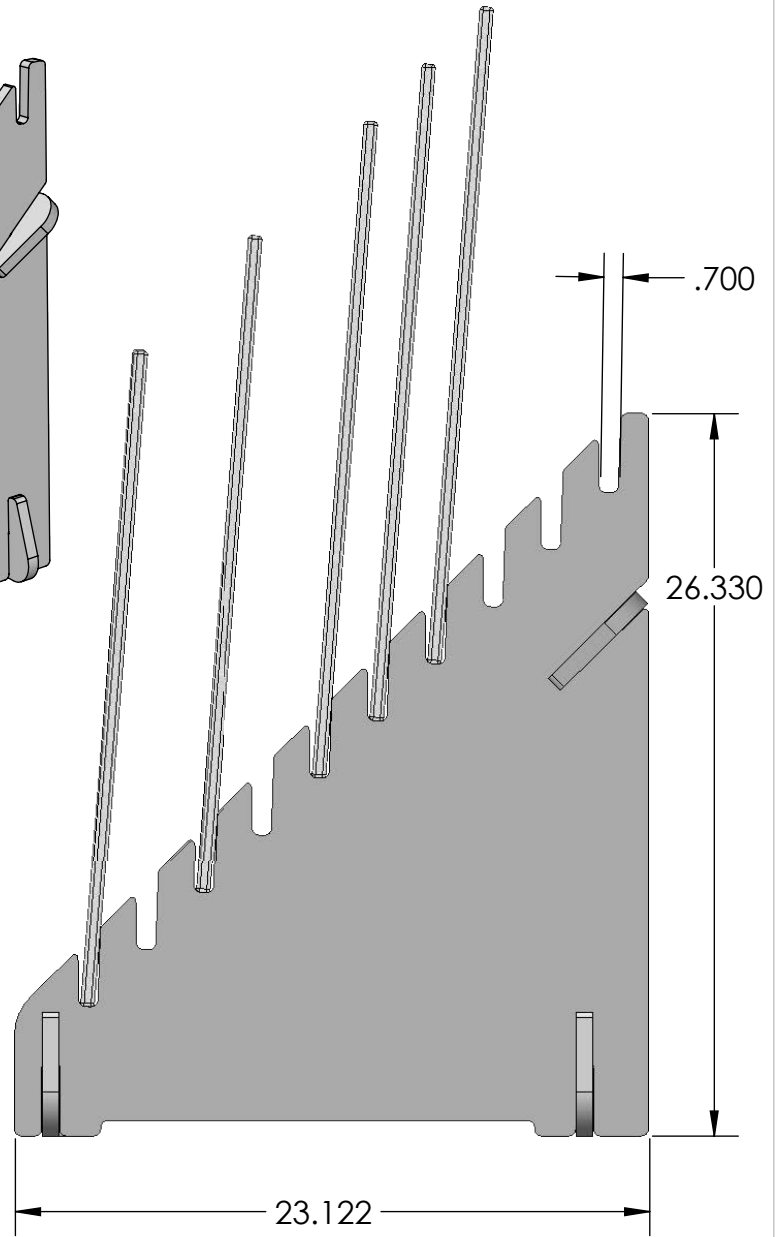
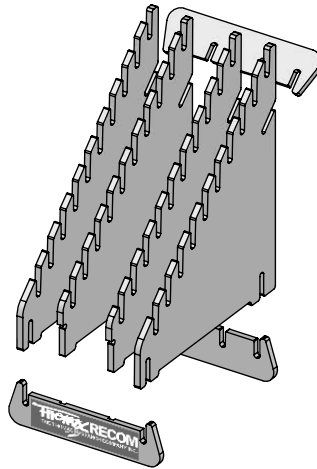
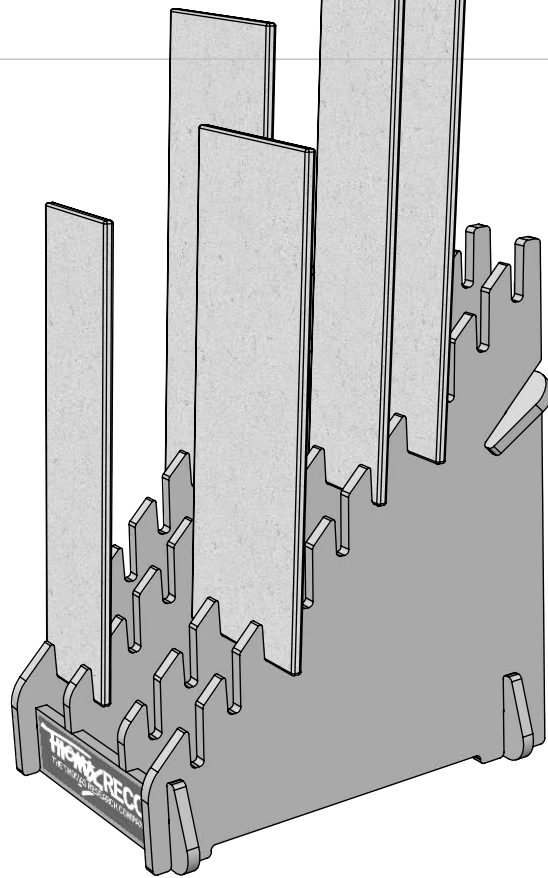
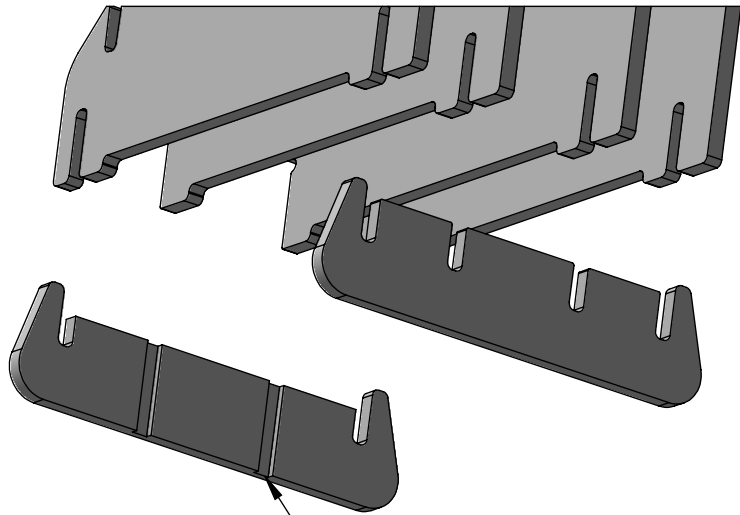


COLOR: BLACK WITH
BLACK PAINTED EDGES

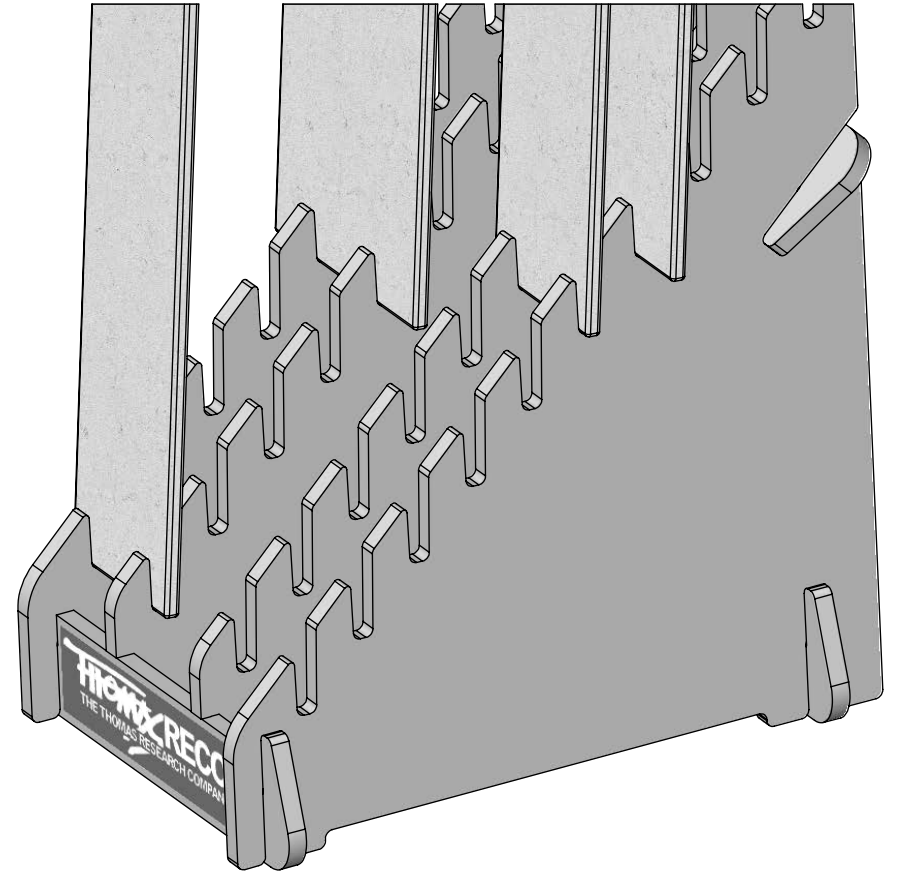


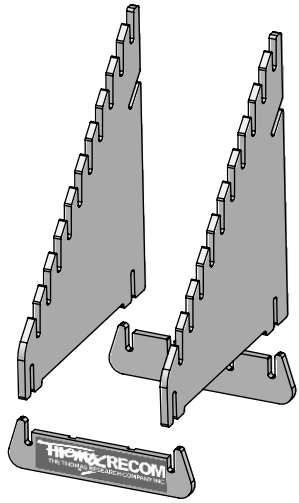
SCREEN-PRINTED
LOGO



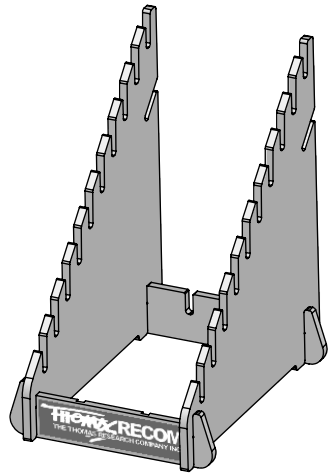


NOTE SPECIAL GROOVES

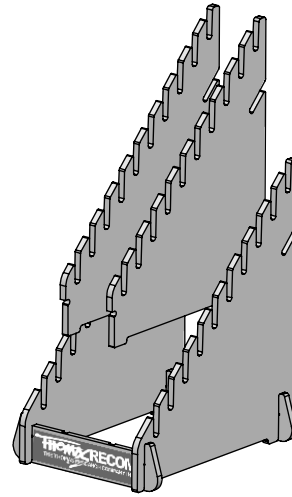




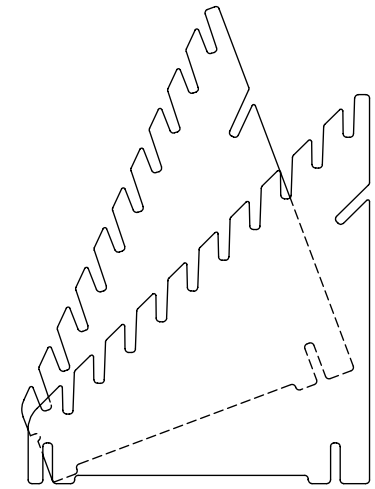
STEP 1.) ASSEMBLE (2) SIDE PANELS AND BASE SPANNERS AS SHOWN (PUT THE PRINTED PANEL IN FRONT)



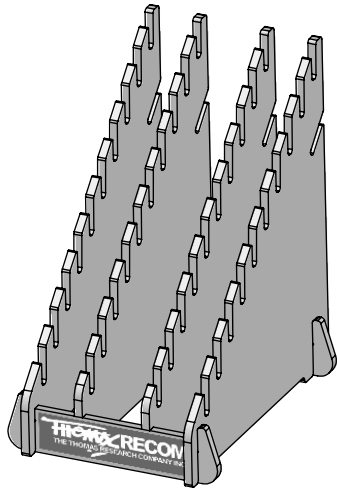
STEP 2.) SLIDE THE SIDE PANELS ALL THE WAY DOWN AS SHOWN



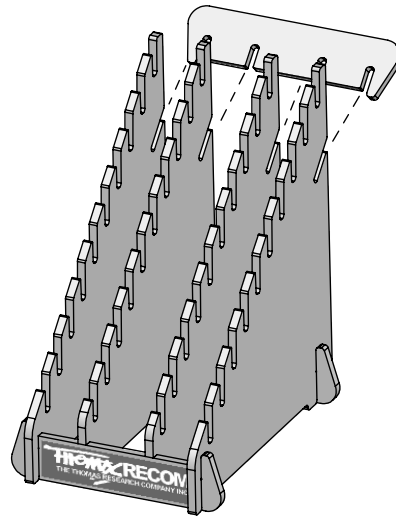
STEP 3.) ASSEMBLE THE CENTER PANELS



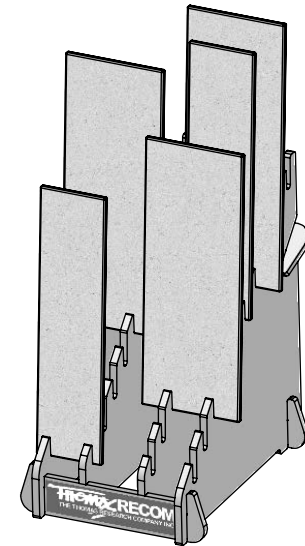
STEP 4.) INSERT THE CENTER (2) PANELS. ANGLE THEM AS YOU SLIDE THEM DOWN INTO THE NOTCHES



STEP 5) MAKE SURE ALL THE SIDES ARE FULLY SEATED DOWN TO THE FLOOR.



STEP 6) SLIDE THE BACK SPANNER INTO THE NOTCHES AS SHOWN.



STEP 7) INSTALL YOUR SAMPLES AND GET READY TO SELL !!!