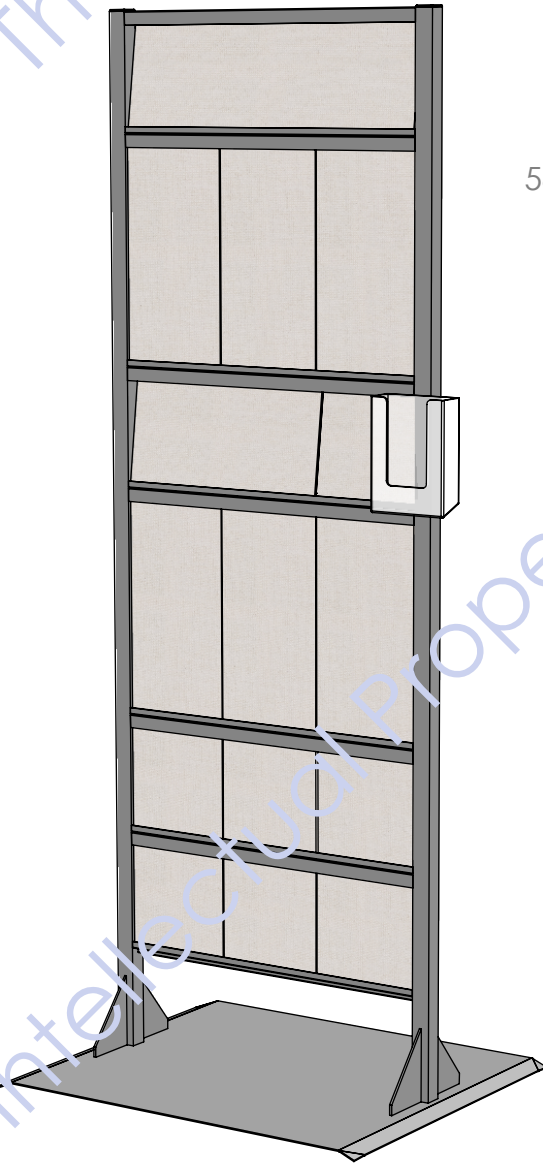
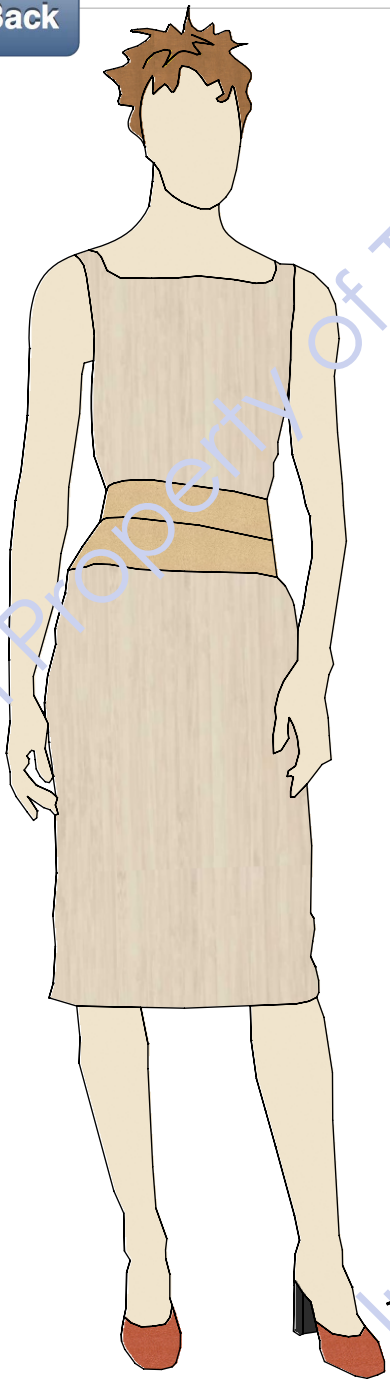


Back

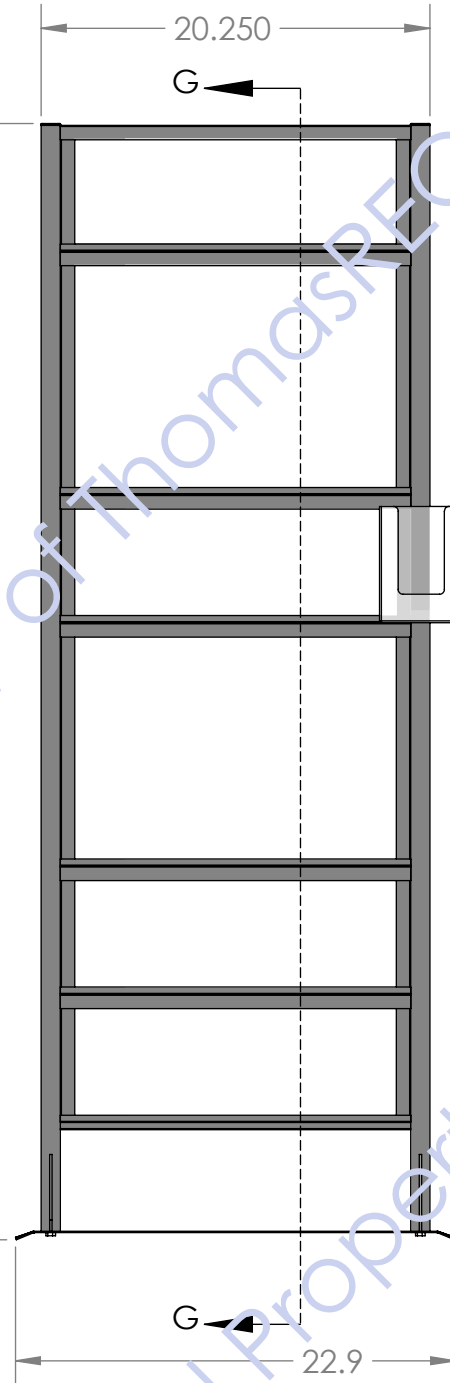
POWDER COAT MATTE BLACK



58.138

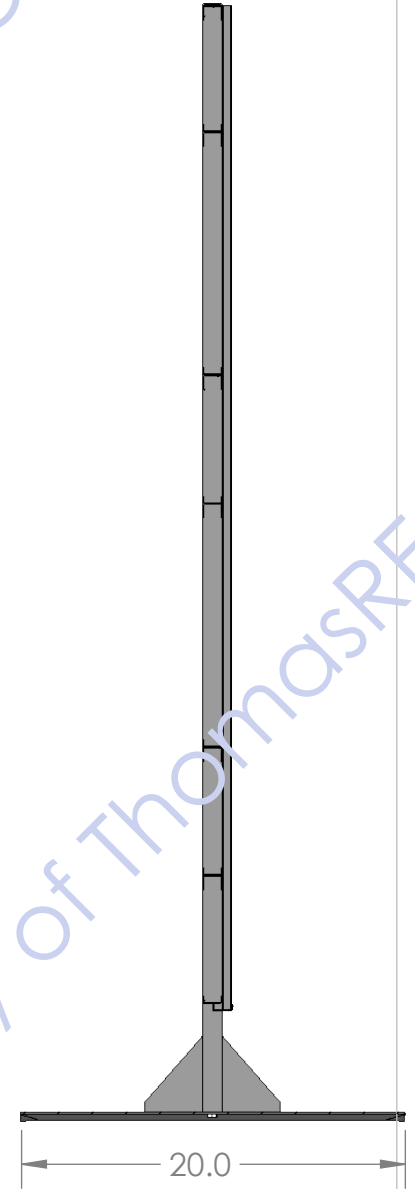
20.250

G

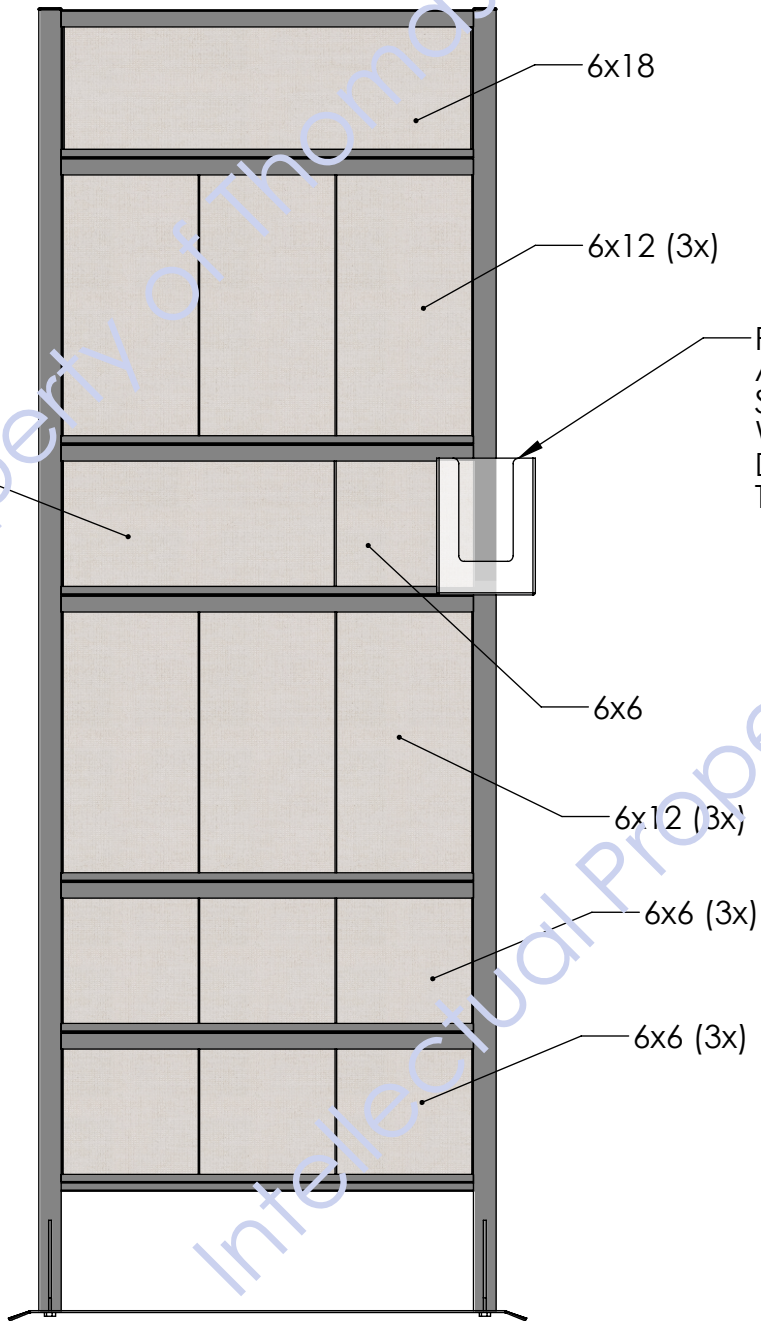


G

22.9



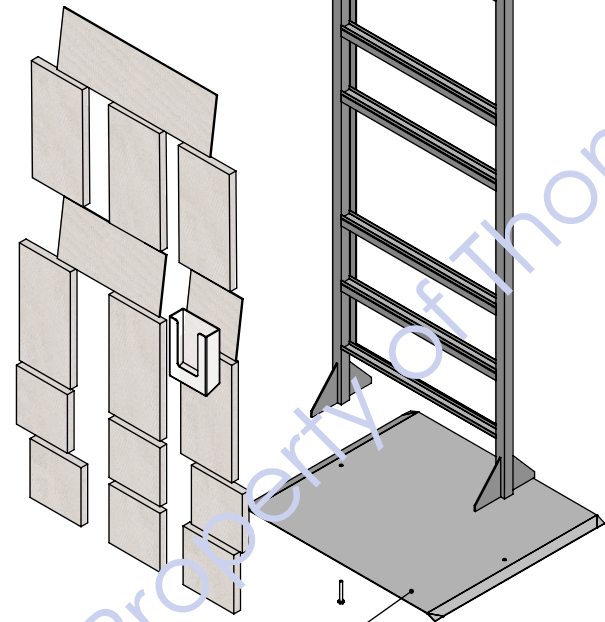
20.0



WEIGHT CAPACITY
150 LBS SPREAD EVENLY

PLASTIC LIT. POCKET
APPLIED TO 1" WIDE
STEEL TUBE USING 1"
WIDE STRIP OF
DOUBLE FACE
TAPE

GRAPHIC
PANEL
DROPS
IN
PLACE



BOLT ON SHEET-METAL BASE

