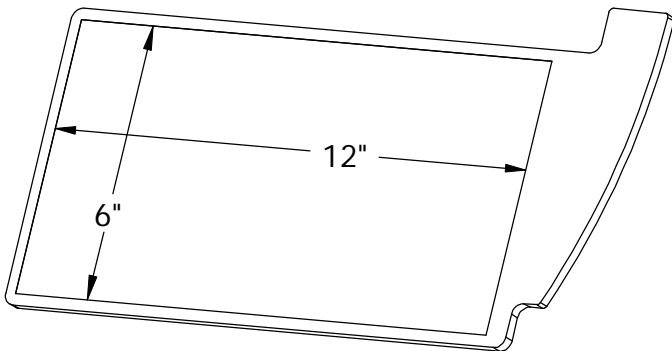


**LISTELLO SPINNER DISPLAY (SLIP-FIT VERSION)
ORDER#: LSDSFV**

- All MDF construction, come "knock-down"
- As shown comes with (80) 1/4" thick MDF display boards
- Detachable/removable sign board included
- Screen-printing available for the boards and sign
- Bulk packed on pallets
- Boards have a display area of 6" x 12"
- Can be ordered as-is or you can contact our design department to customize it to fit your needs
- Foot-print: 26" X 26" X 56" tall



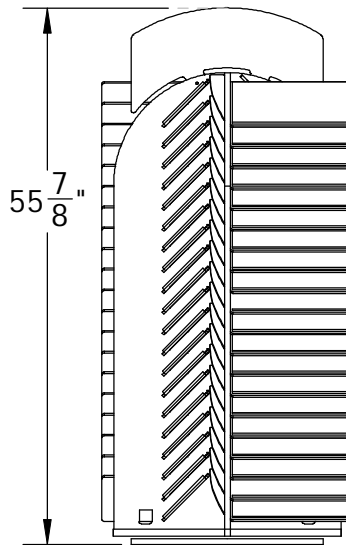
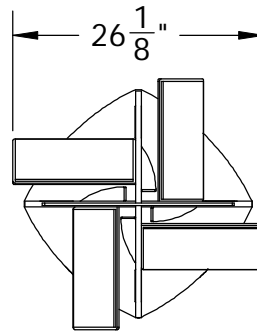
As designed the boards provide a 6" x 12" display area for your products.



The boards are easily removed from the display by rotating and sliding out.

WE CAN MAKE THIS DISPLAY IN MANY DIFFERENT SIZES, CONTACT US TO SEE HOW!

THOMASRECOM
THE THOMAS RESEARCH COMPANY INC.
1-800-973-2660 WWW.ThomasRECOM.COM



SHIPS IN FLAT PIECES

1-800-973-2660
www.ThomasRECOM.com
EMAIL: Mike@ThomasRECOM.com
2104 Whitlock Place, Dover FI 33527