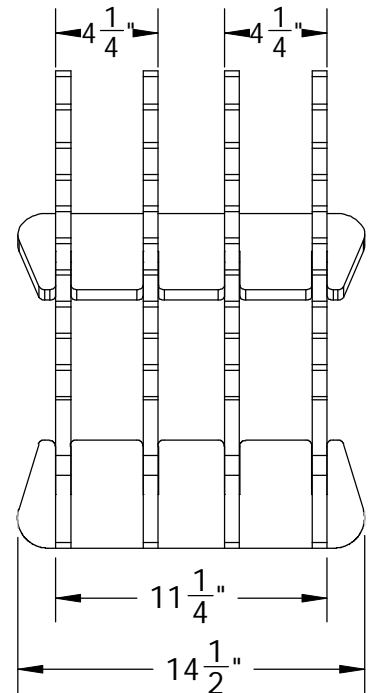
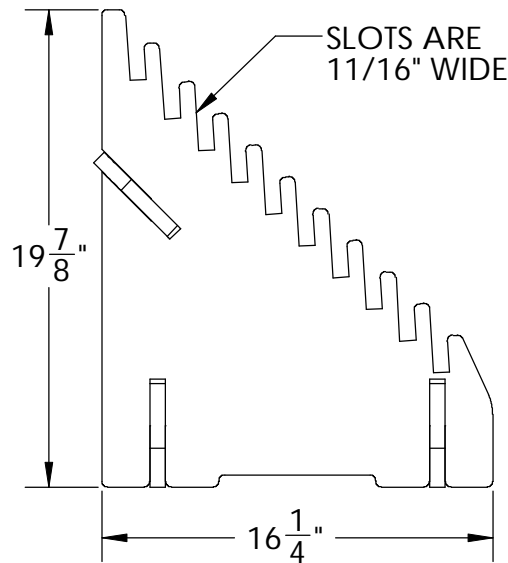
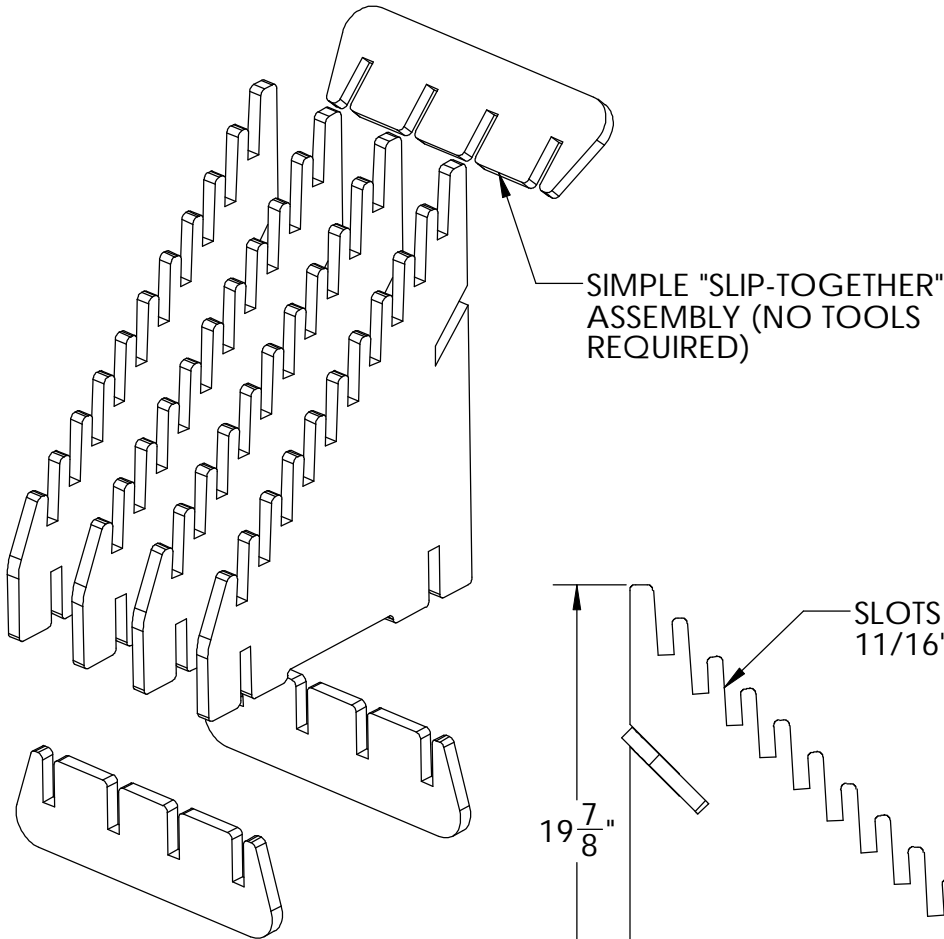
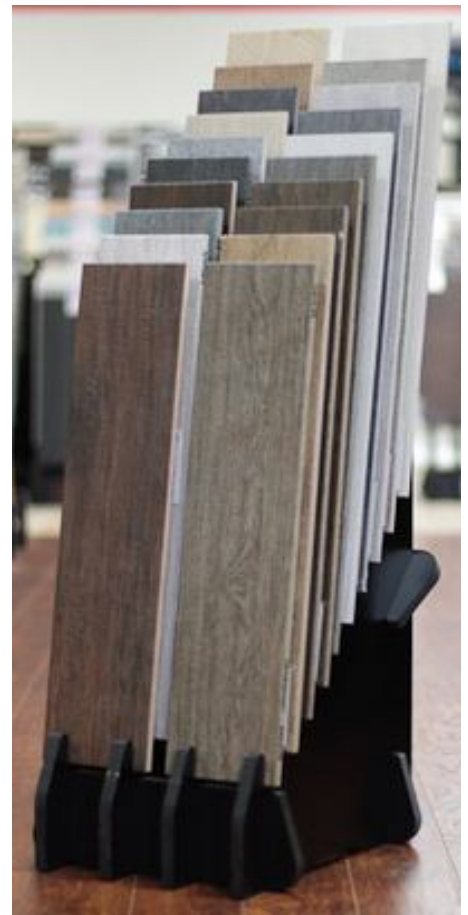


**DOUBLE 10-COUNT (HOLDS 20 SAMPLES)
WATERFALL PLANK DISPLAY**

ORDER# DBL10CFSBLK

PRICING 11 + BULK
\$31.25/EACH

PRICING 1/CARTON
\$35.50/EACH ANY QTY.



HOLDS 20 SAMPLES
MINIMUM PLANK WIDTH: 5"
MAXIMUM PLANK WIDTH: 7"
OR YOU CAN SPAN ACROSS THE FULL WIDTH
WITH A 12" OR LARGER SAMPLE
STANDARD BLACK WITH BLACK PAINTED EDGES
OTHER COLORS ARE AVAILABLE
MAXIMUM TILE THICKNESS IS 5/8"
WE CAN MAKE OTHER SIZE SLOTS
FOOTPRINT: 14-1/2" WIDE X 16-1/4" DEEP X 20" TALL
WEIGHT 18 LBS
UPS LABEL 23"X19"X5" 20LBS 1/CTN



THOMAS RECOM
THE THOMAS RESEARCH COMPANY INC.
1-800-973-2660 WWW.ThomasRECOM.COM

1-800-973-2660
www.ThomasRECOM.com
EMAIL: Mike@ThomasRECOM.com
2104 Whitlock Place, Dover FI 33527