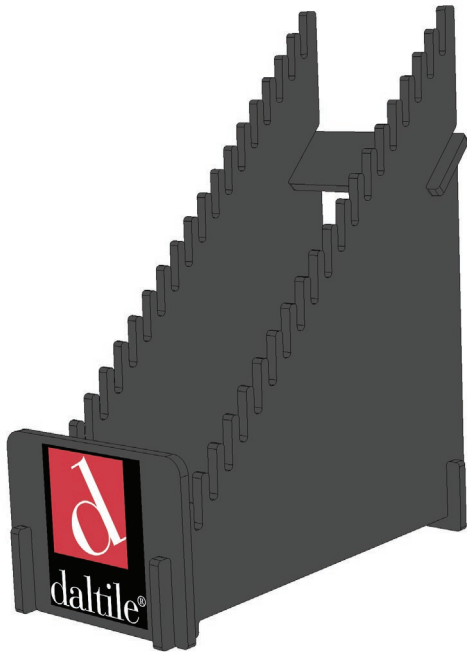


**20 COUNT FINGERSLOT WITH LARGE  
BRANDED FRONT PANEL. HOLDS (20) SAMPLES  
(BLACK) ORDER# 20CFSBLKOSDT1/CTN**

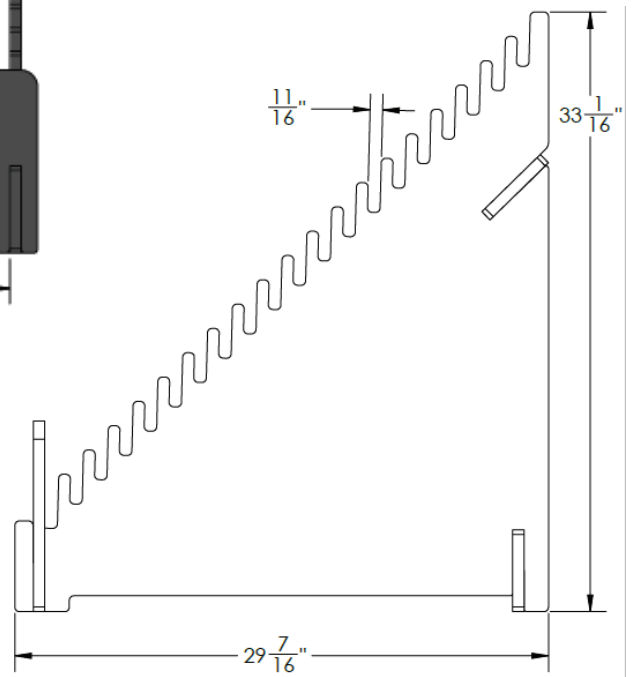
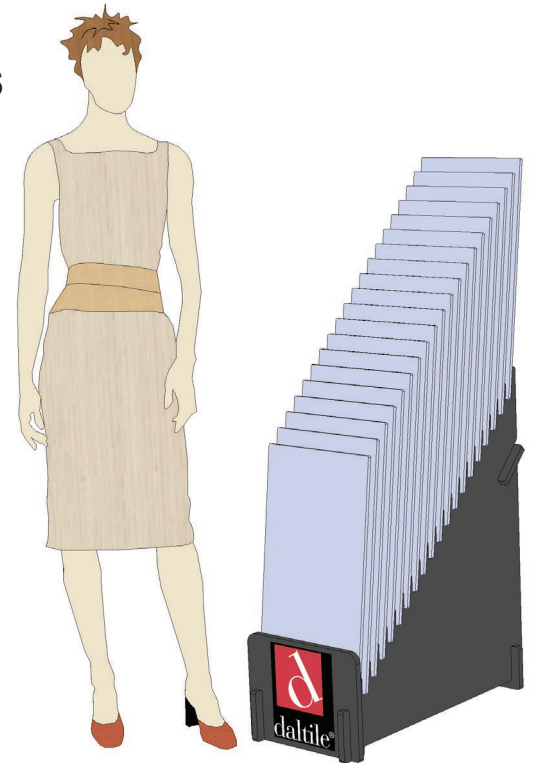
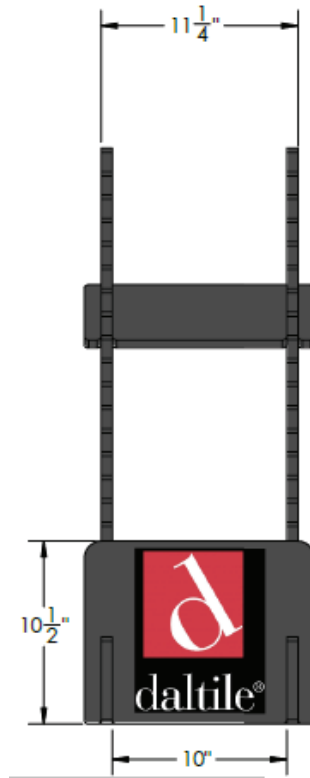
QTY: (1-19) PACKED 1/CTN **\$51.58/EACH**

QTY: (20-50) PACKED 1/CTN **\$48.97/EACH**

QTY: (50 +) PACKED 1/CTN **\$46.99/EACH**



"SLIP TOGETHER"  
ASSEMBLY  
(NO TOOLS  
REQUIRED)



HOLDS 20 SAMPLES  
MINIMUM WIDTH 12" WIDTH,  
BLACK WITH BLACK PAINTED EDGES  
MAXIMUM TILE THICKNESS IS 11/16"  
WE CAN MAKE OTHER SIZE SLOTS  
FOOTPRINT: 10" WIDE X 29-7/16" DEEP X 33-1/16" TALL  
WEIGHT" 26LBS