

CRADLE DISPLAY
 ORDER# MAPCRAD
 ON-SALE ONLY \$20.00
 (MIN QTY IS 5/CTN)
 IN-STOCK

IDEAL FOR SAMPLE BOARDS AND LOOSE
 TILE OR MANY OTHER ITEMS

COLOR IS MAPLE WOOD-GRAIN
 ALSO AVAILABLE IN BLACK

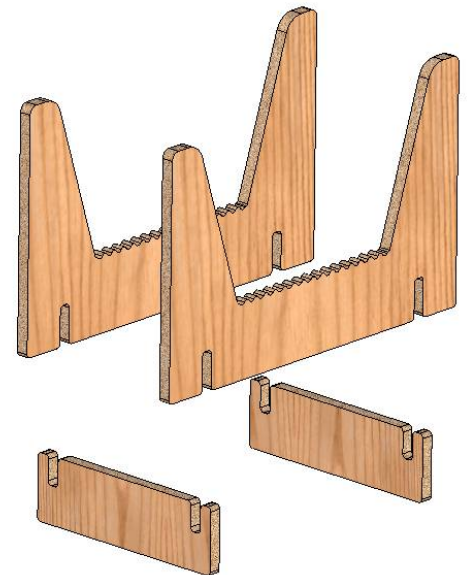
NO TOOLS REQUIRED TO ASSEMBLE

FOOT-PRINT: 12"W X 24" DEEP X 15-3/8" TALL

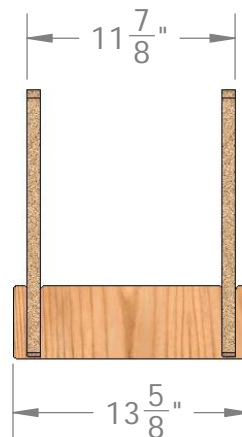
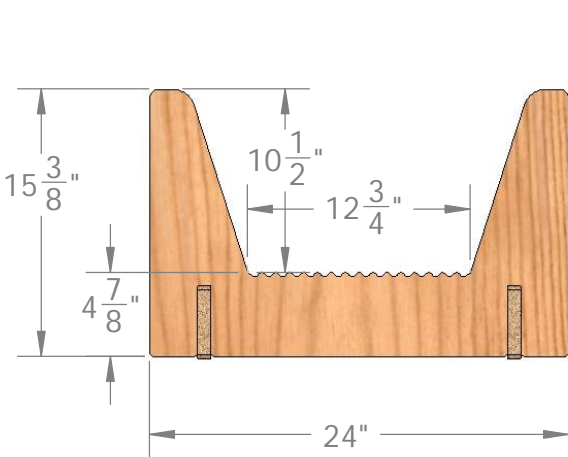
SOLD IN PACK OF 5

CARTON SIZE (5/CTN): 16X24X10, 45 LBS

ACCOMODATES MINIMUM SAMPLE
 WIDTH OF 12"



SLIP IT TOGETHER
 NO TOOLS REQUIRED!



WE CAN MAKE THIS DISPLAY IN MANY DIFFERENT SIZES AND
 CONFIGURATIONS, CONTACT US TO FIND OUT!

THOMAS RECOM
 THE THOMAS RESEARCH COMPANY INC.
 1-800-973-2660 WWW.ThomasRECOM.COM

1-800-973-2660
 www.ThomasRECOM.com
 EMAIL: Mike@ThomasRECOM.com
 714 Concordia Blvd. Pensacola, FL 32505