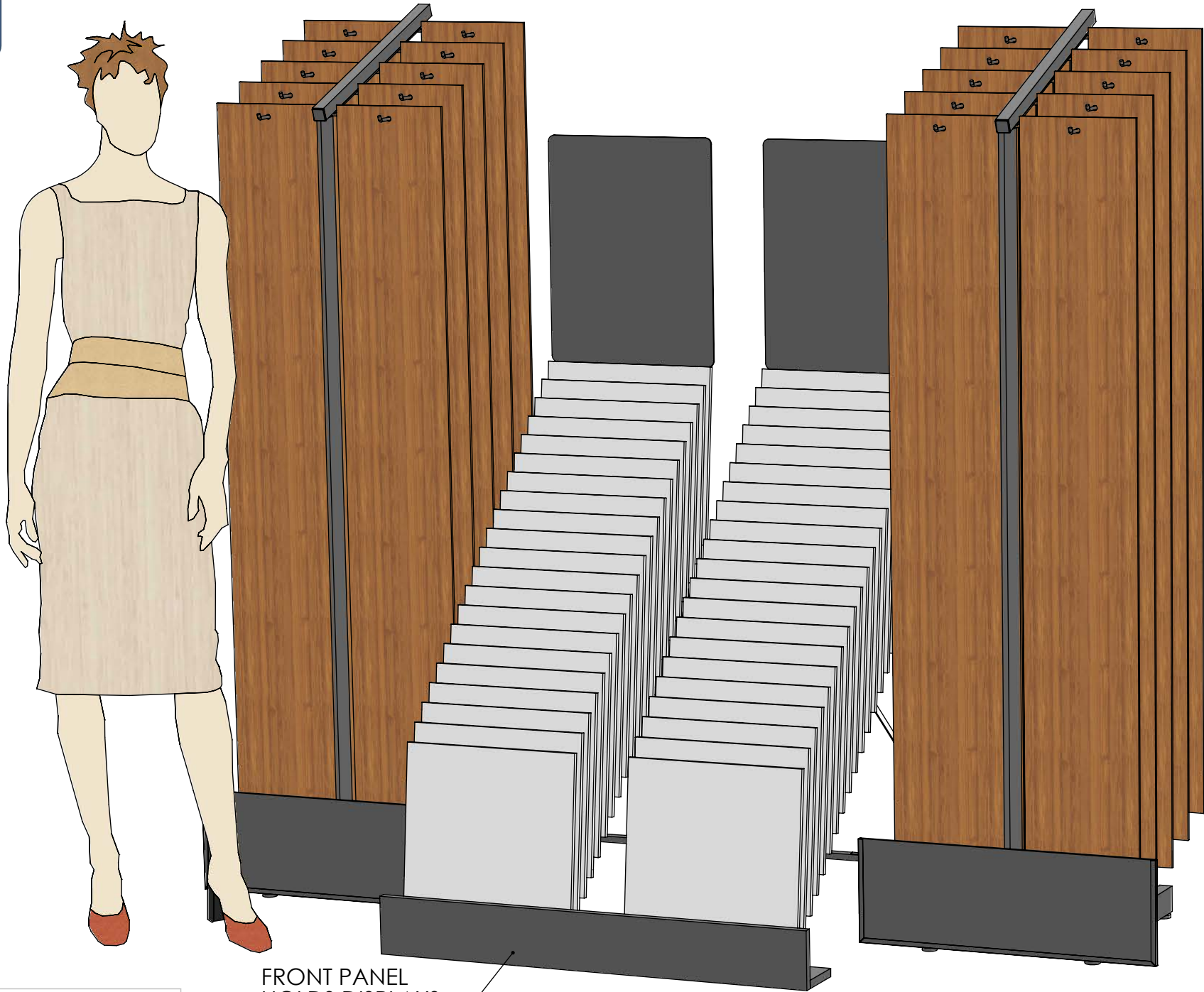
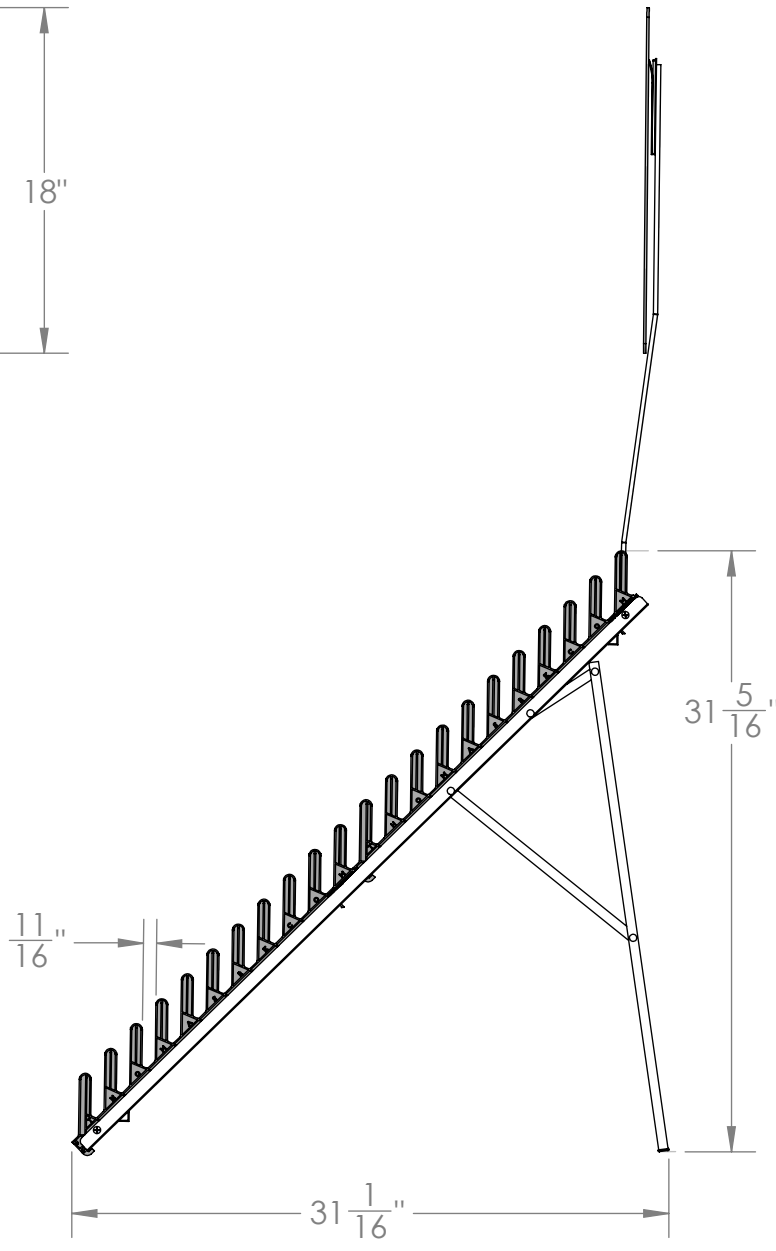
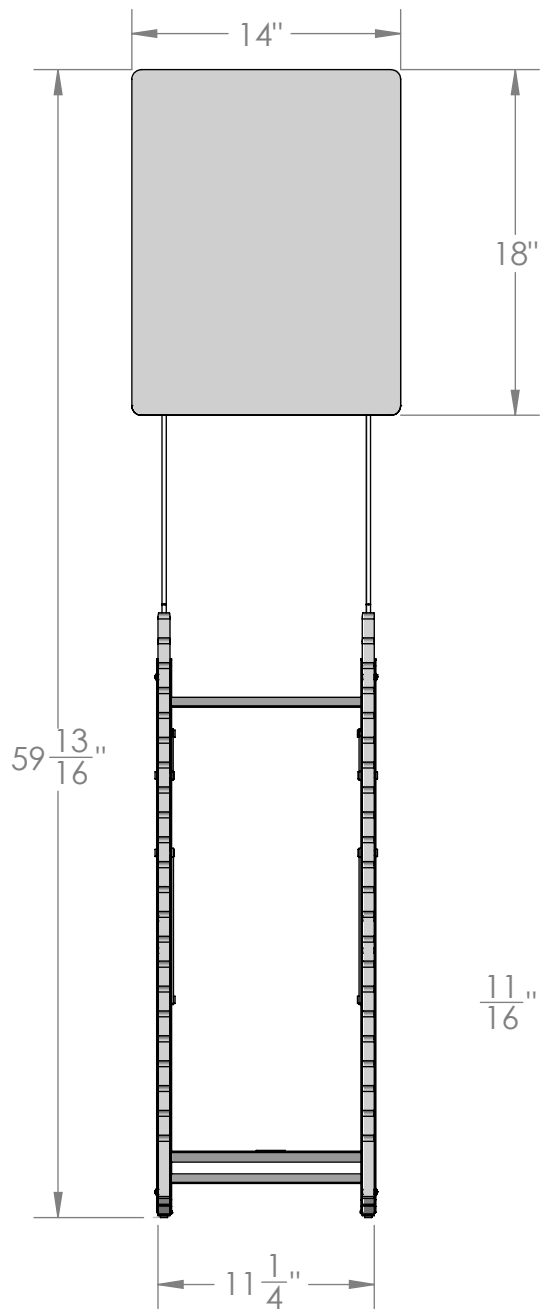


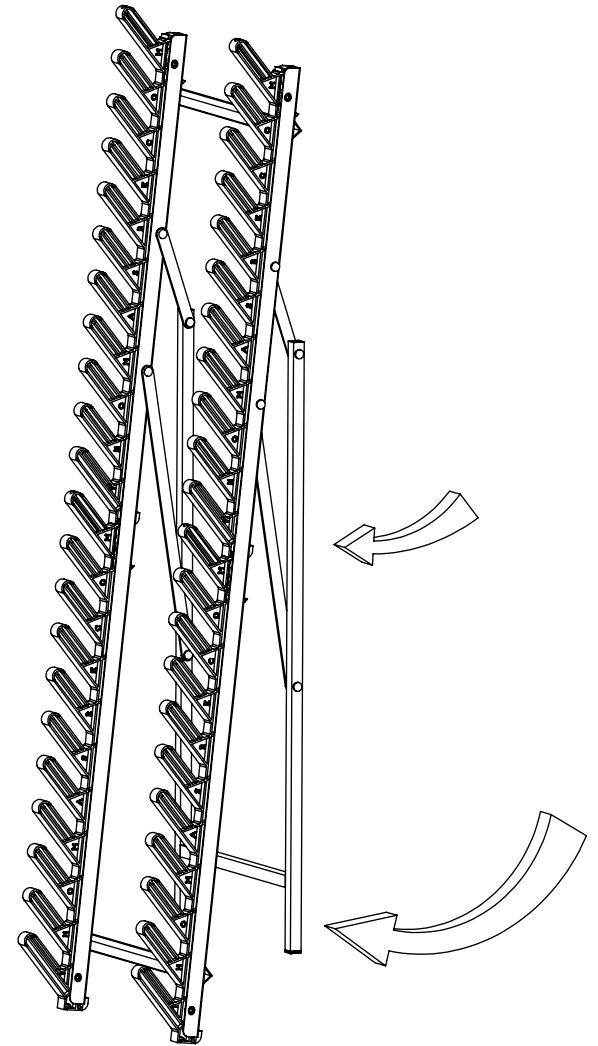
Back

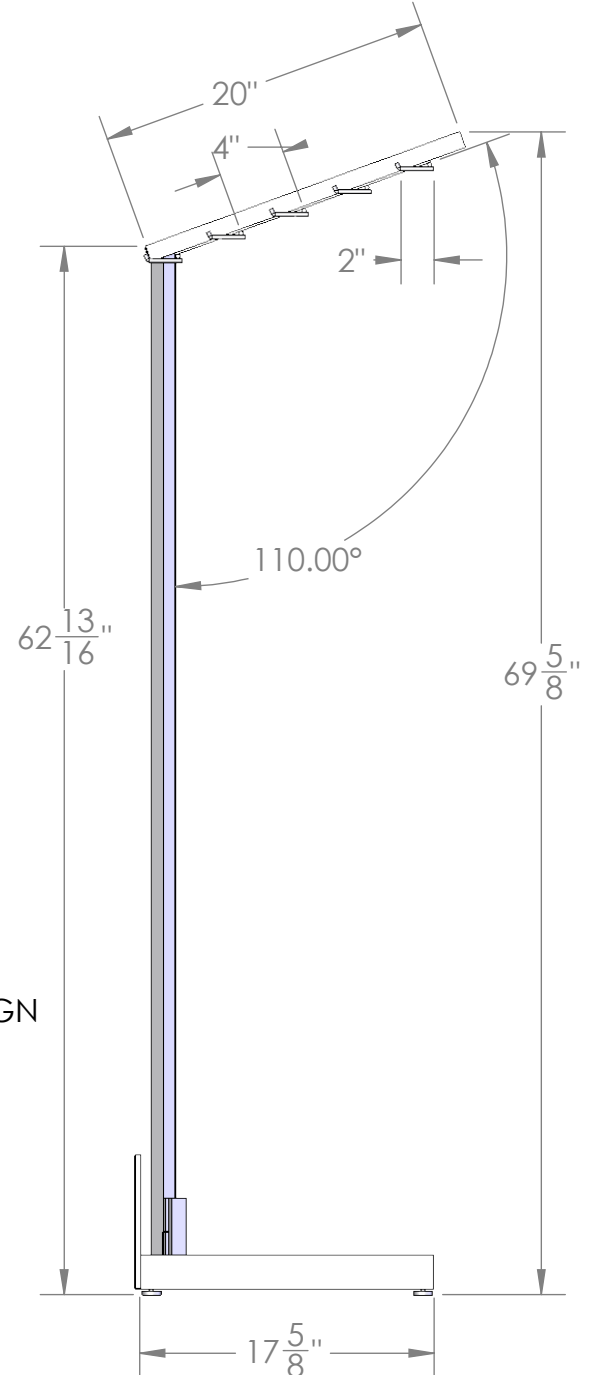
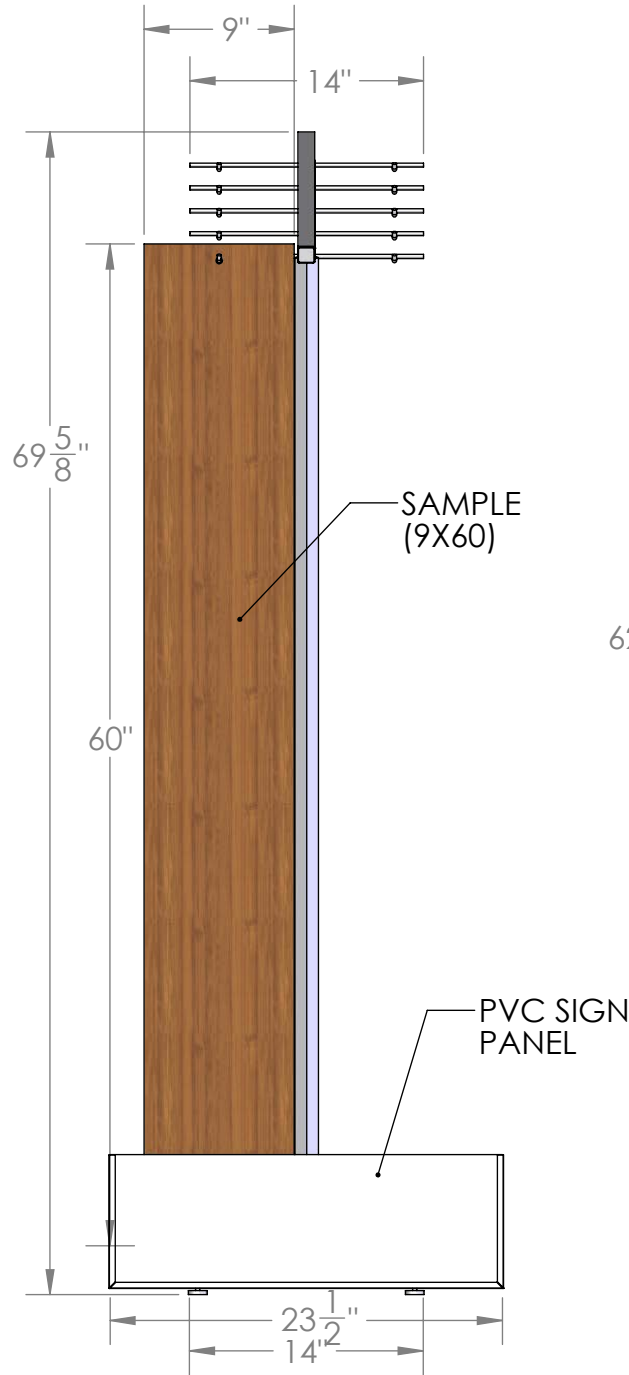
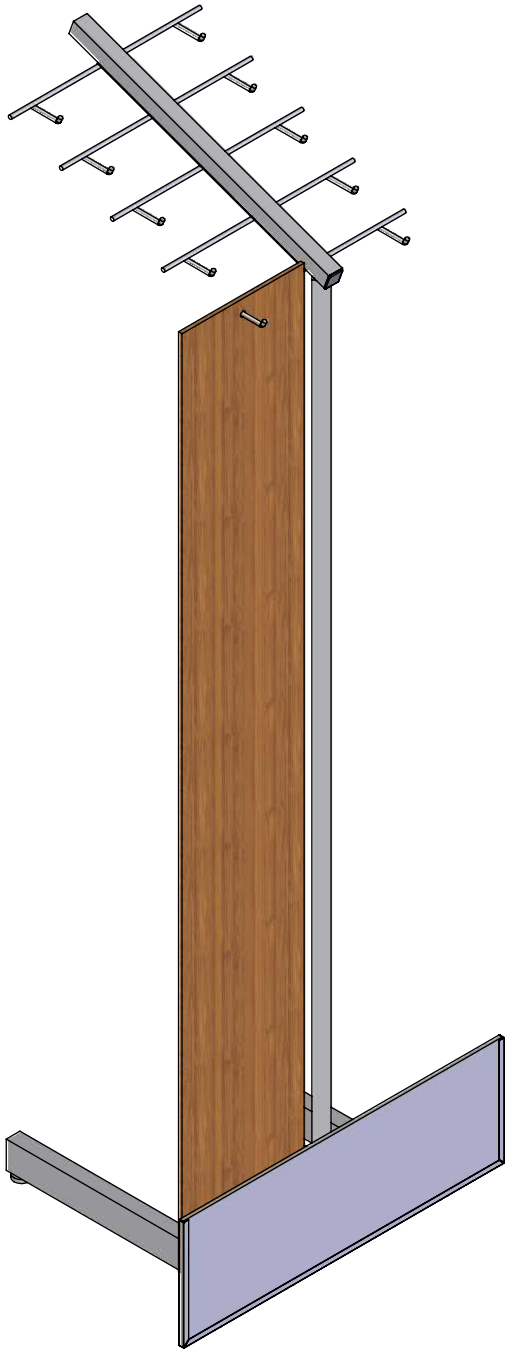


FRONT PANEL  
HOLDS DISPLAYS



FOLDING FUNCTION  
SHIPS FLAT





FLAT BAR  
DRILLED

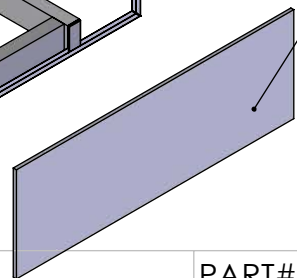
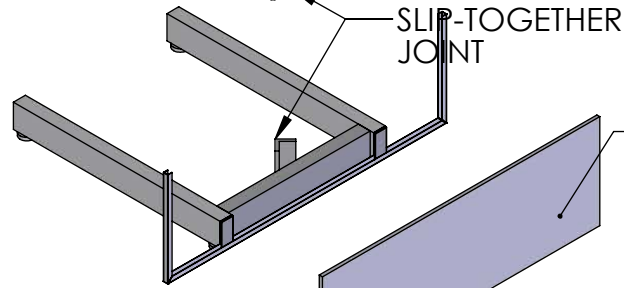
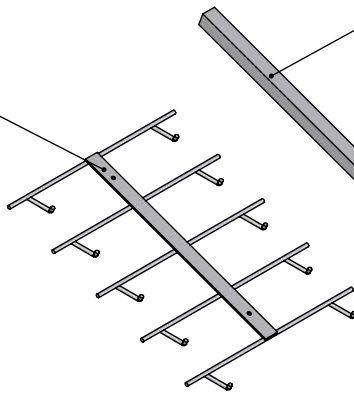
FLOWDRILL  
AND TAP  
UNDERNEATH

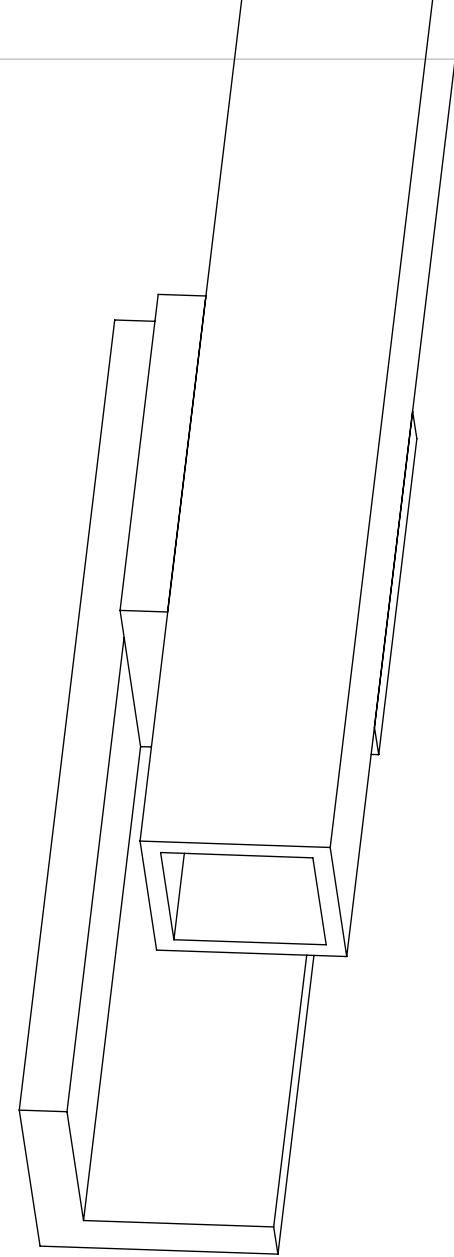
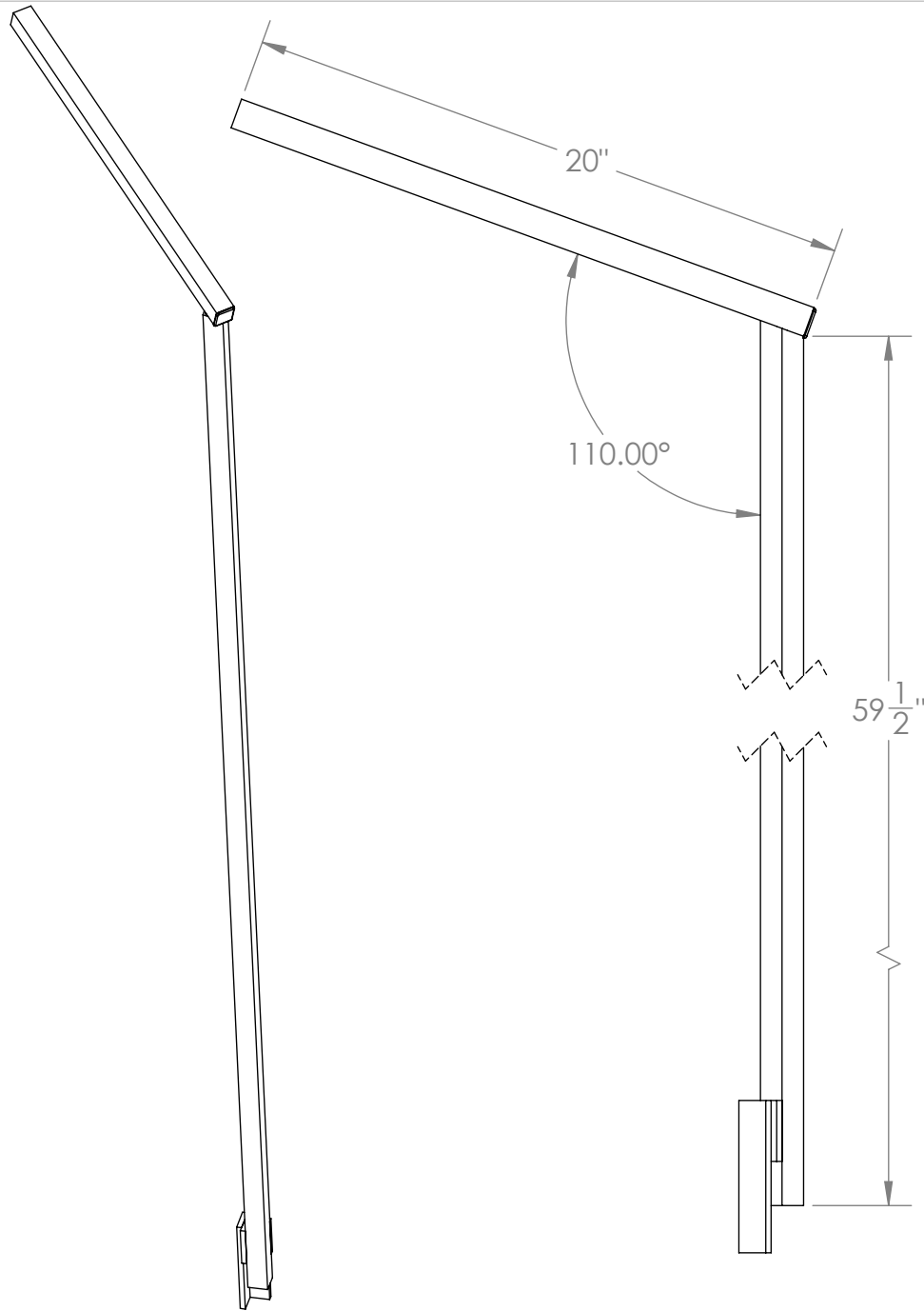
PLASTIC CAP  
UNDERNEATH

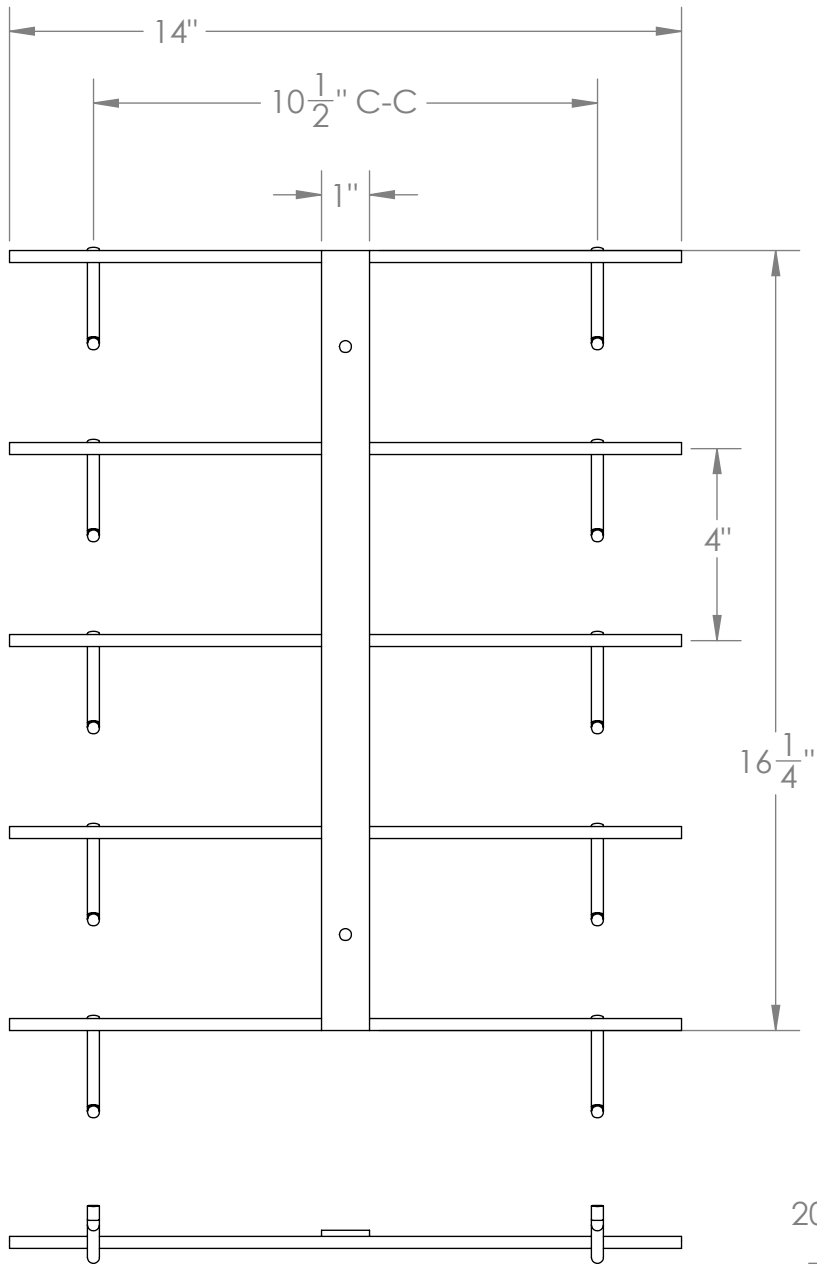
KNOCK DOWN DESIGN  
SHIPS FLAT

SLIP-TOGETHER  
JOINT

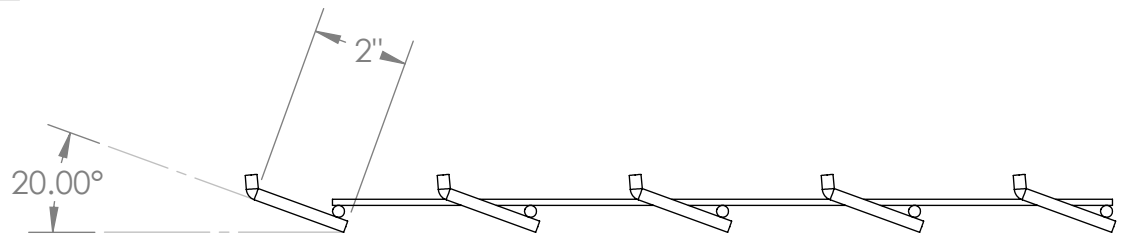
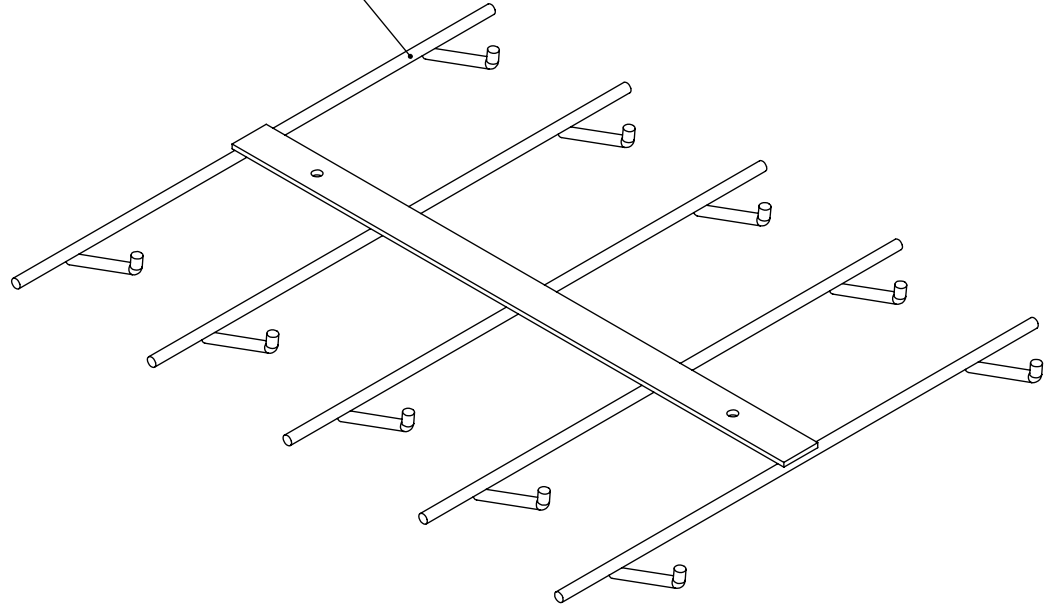
BLACK PVC SIGN

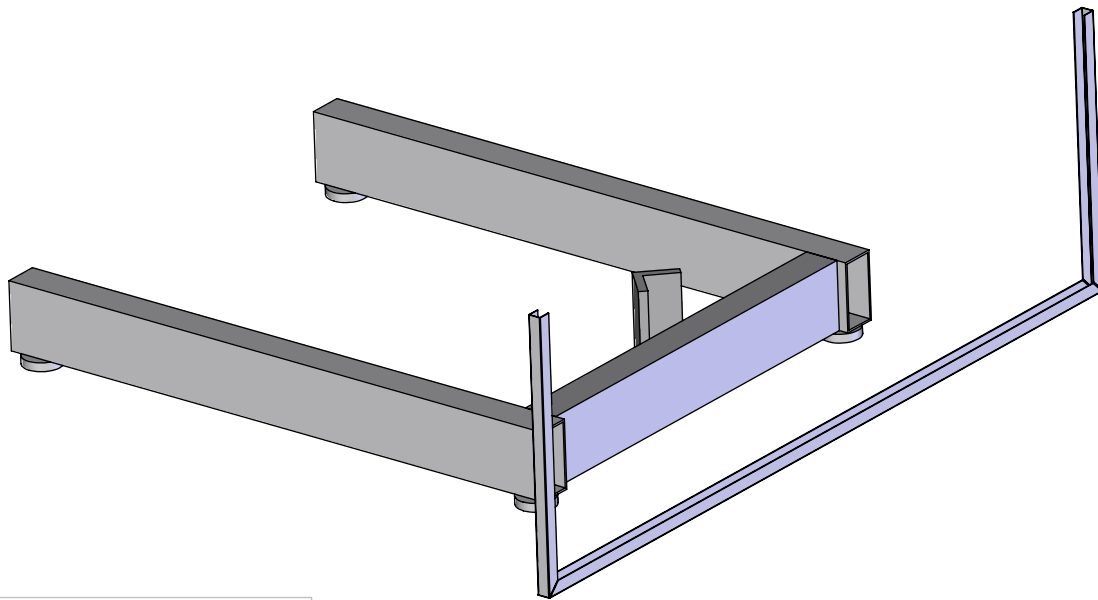
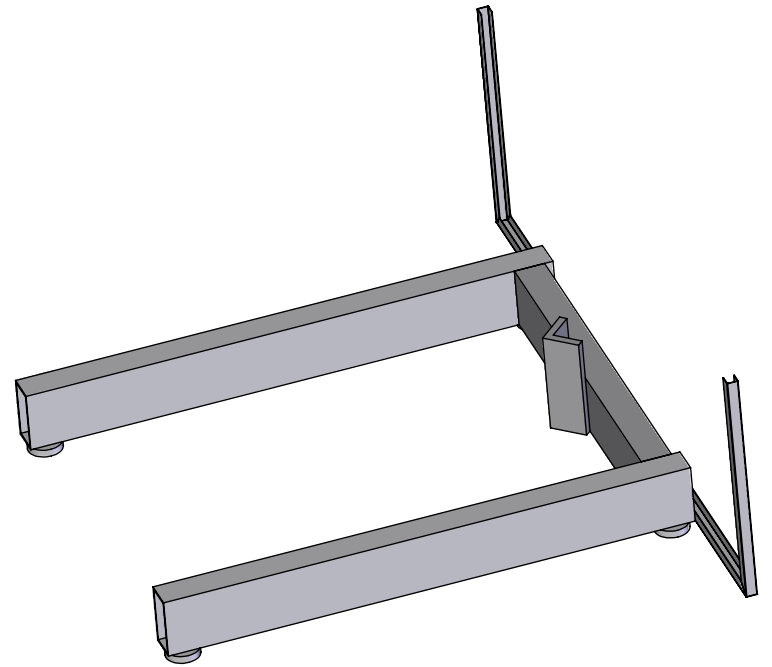
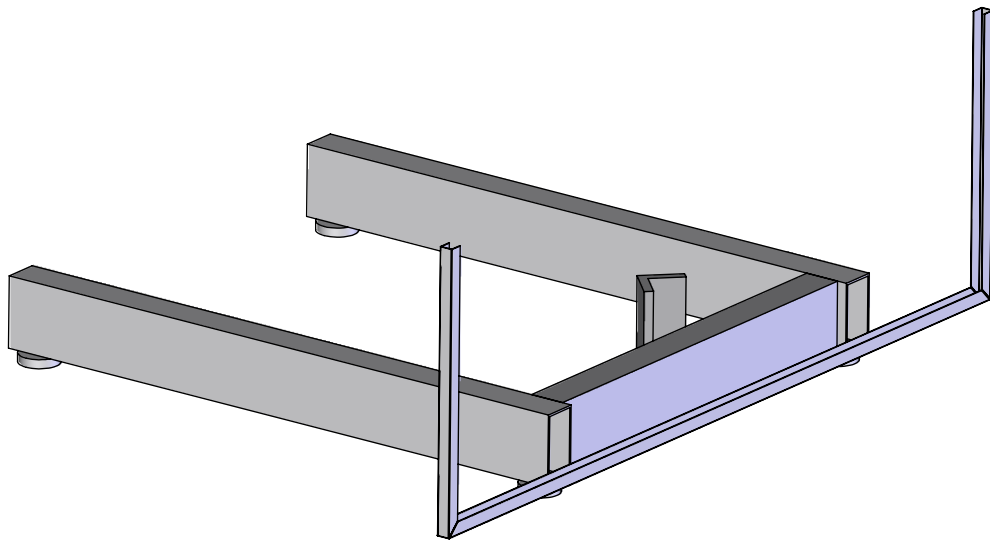


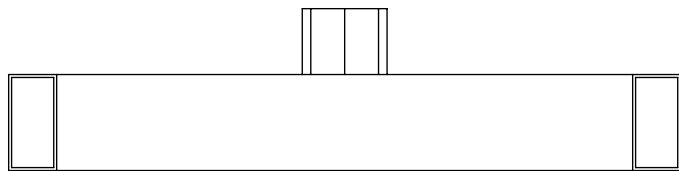
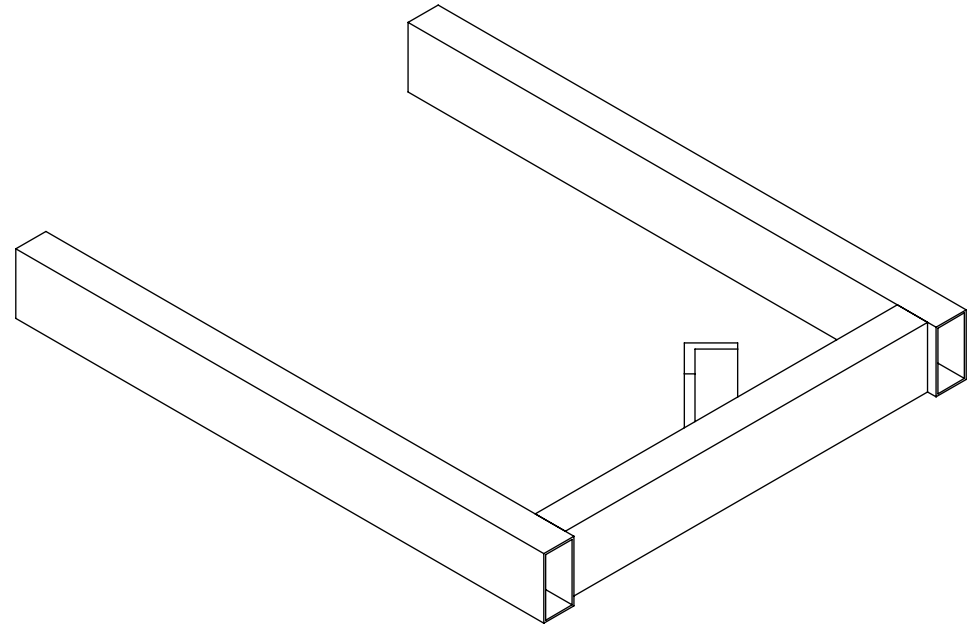
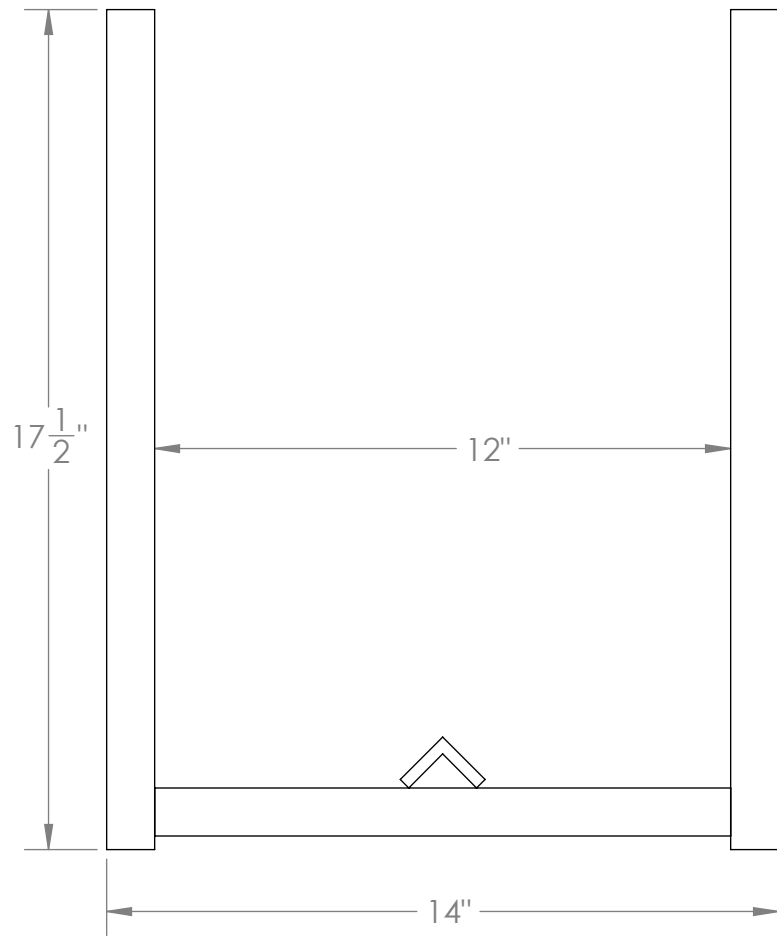




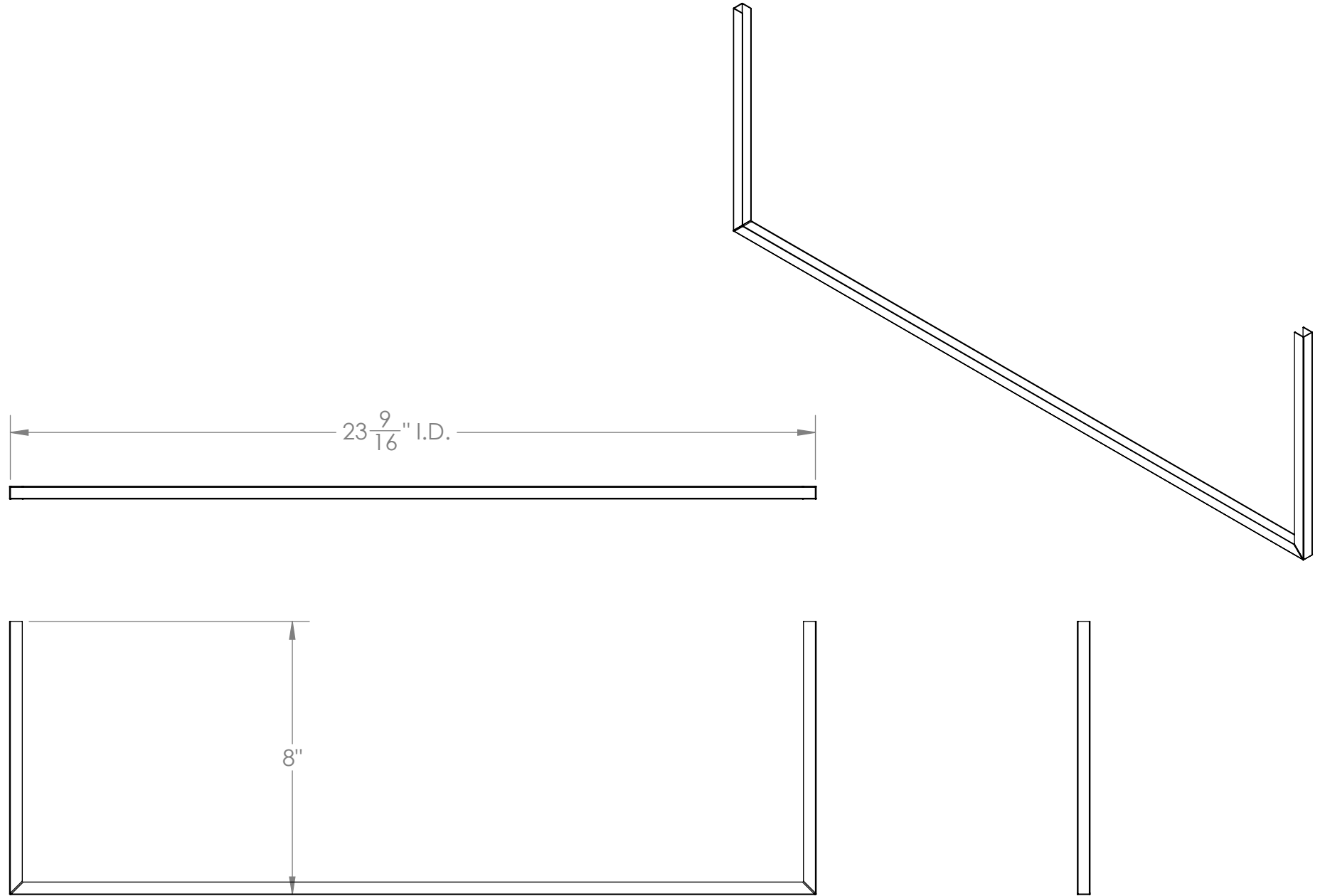
ALL 1/4" WIRE

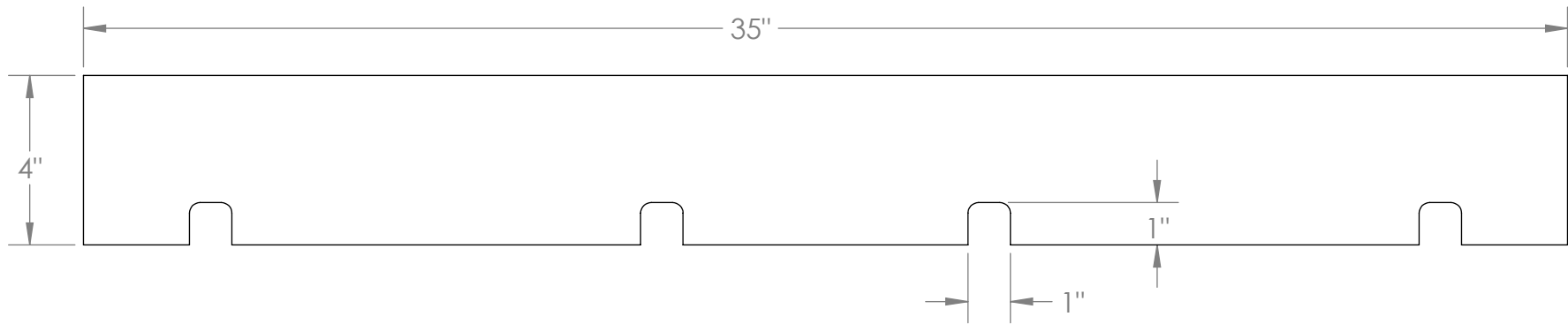
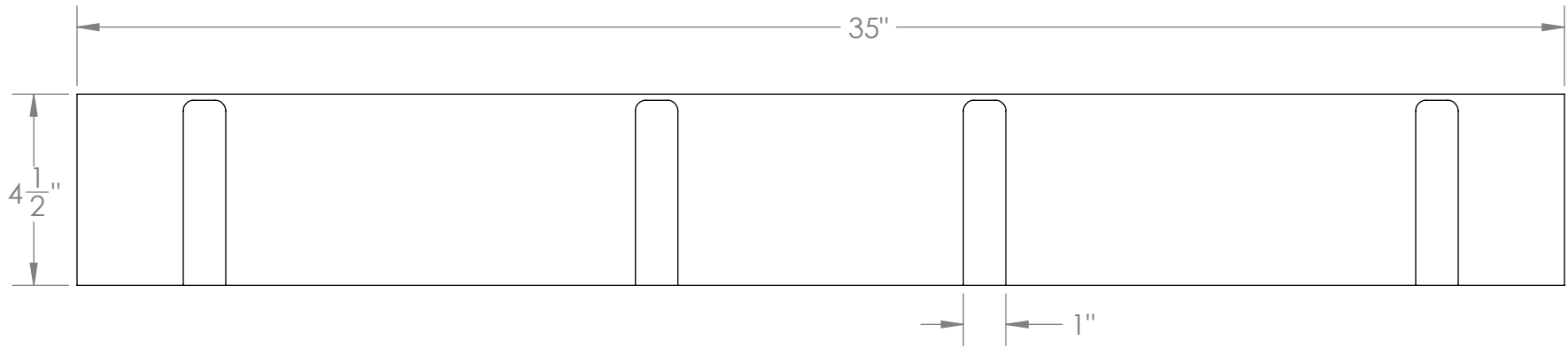
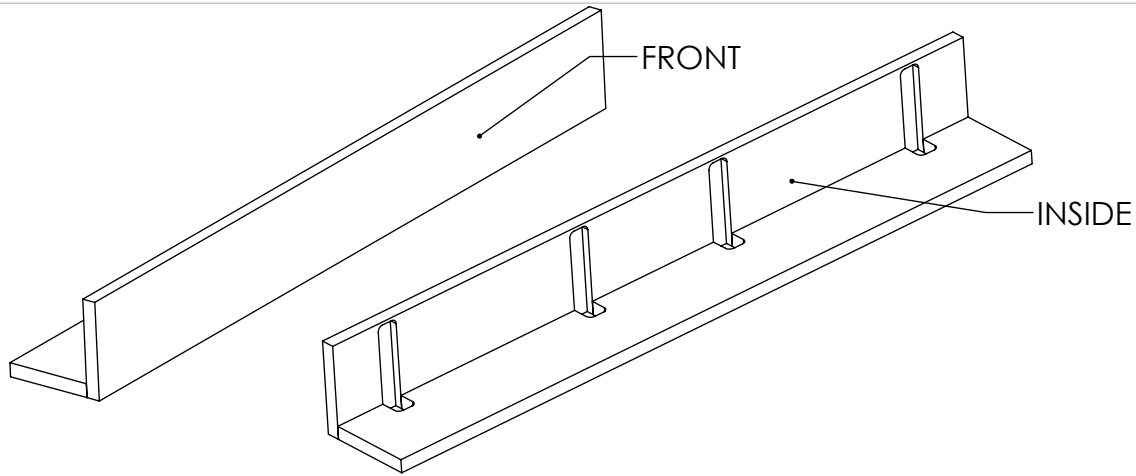




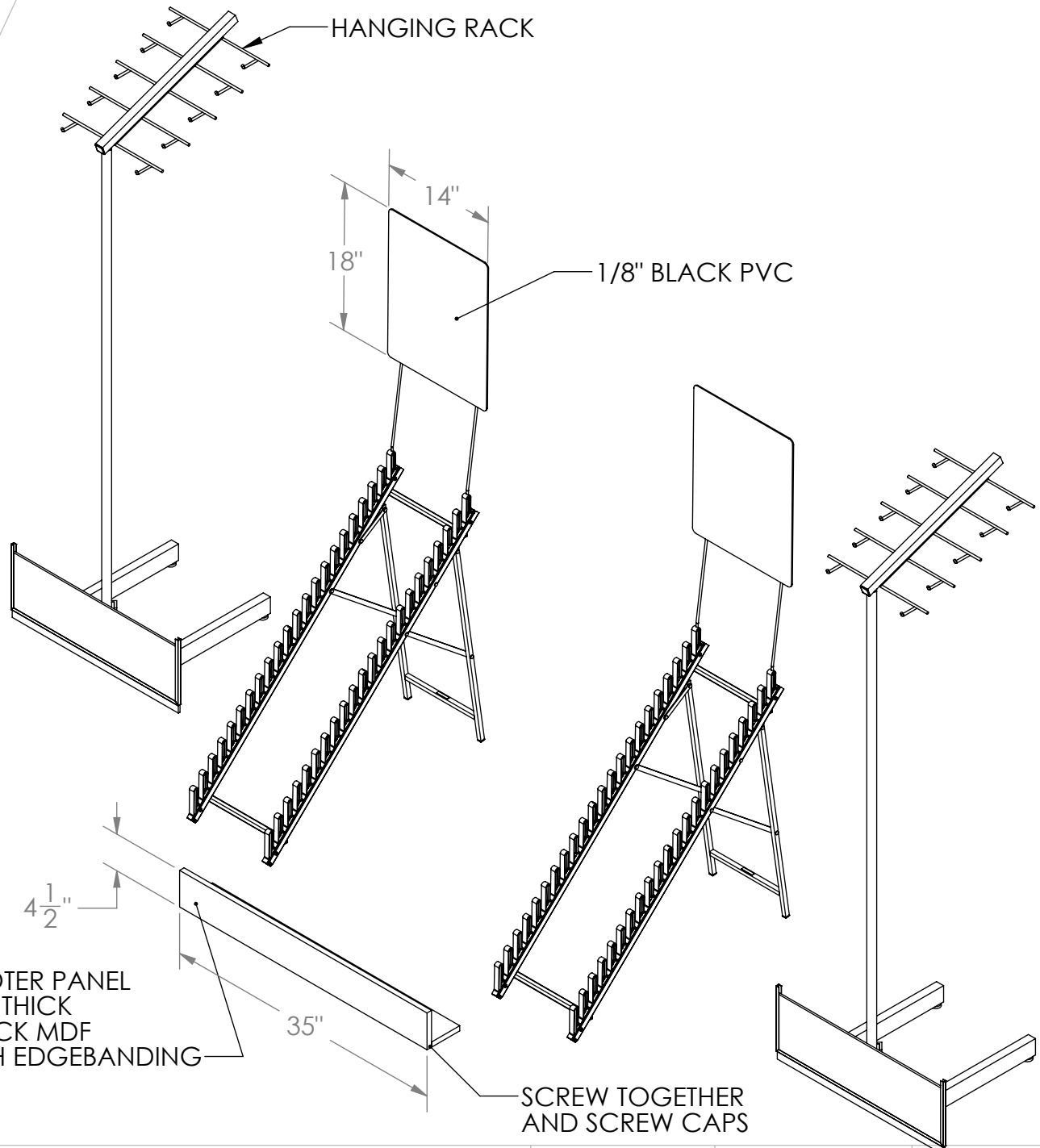
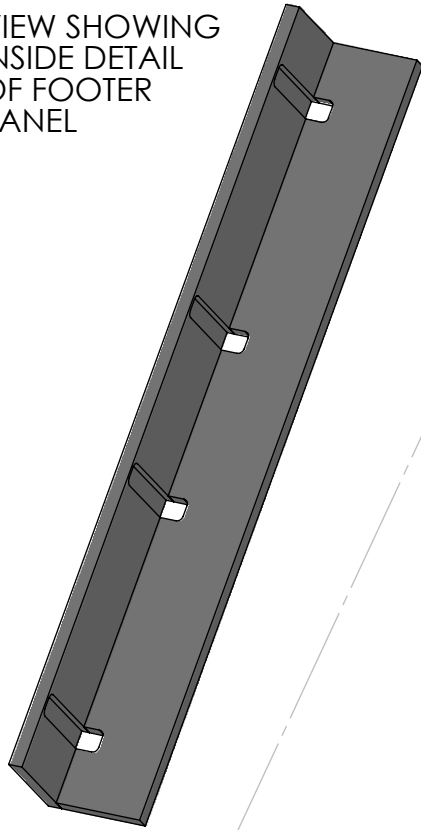








VIEW SHOWING  
INSIDE DETAIL  
OF FOOTER  
PANEL



FOOTER PANEL  
5/8" THICK  
BLACK MDF  
WITH EDGE BANDING

SCREW TOGETHER  
AND SCREW CAPS

