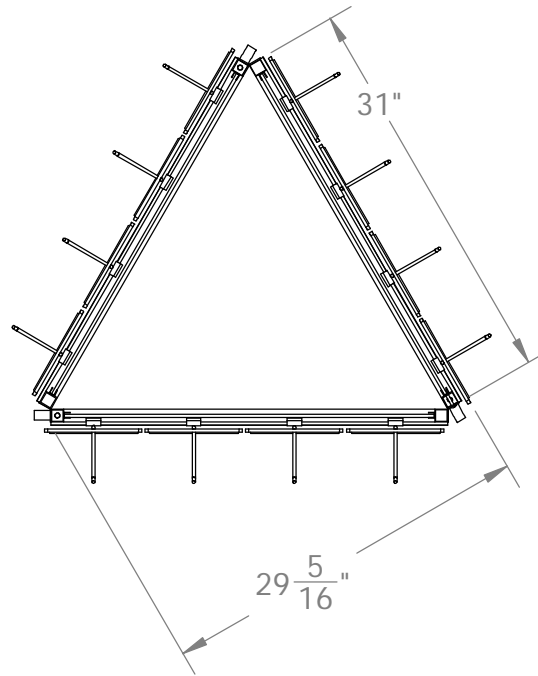
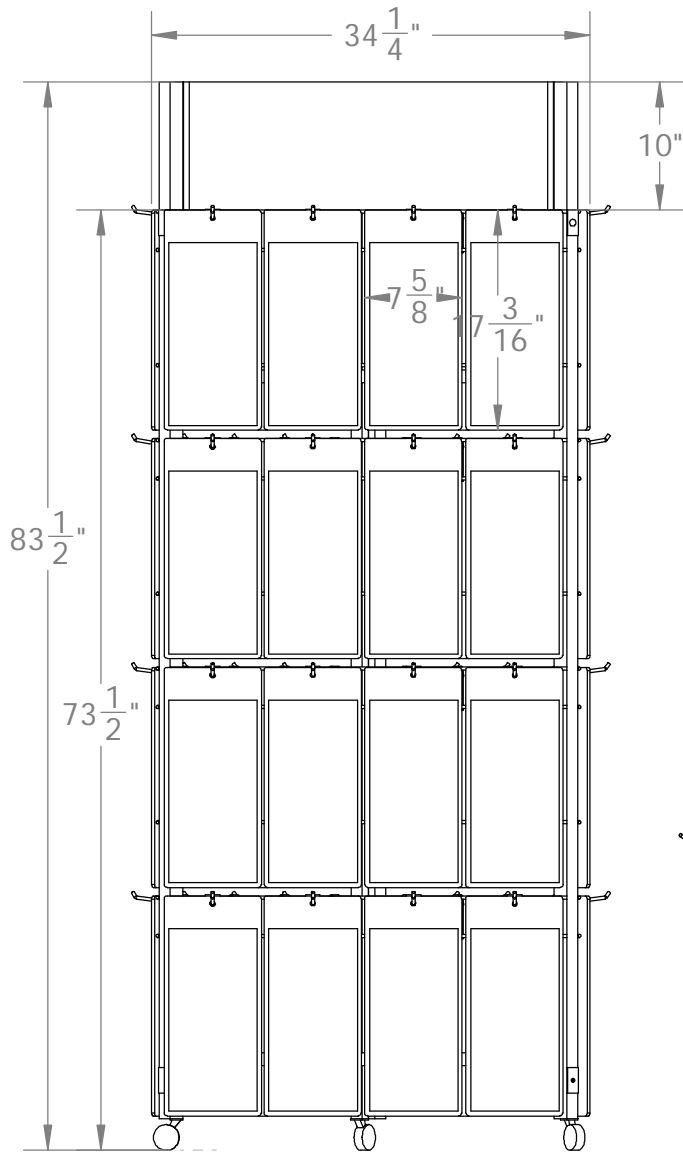


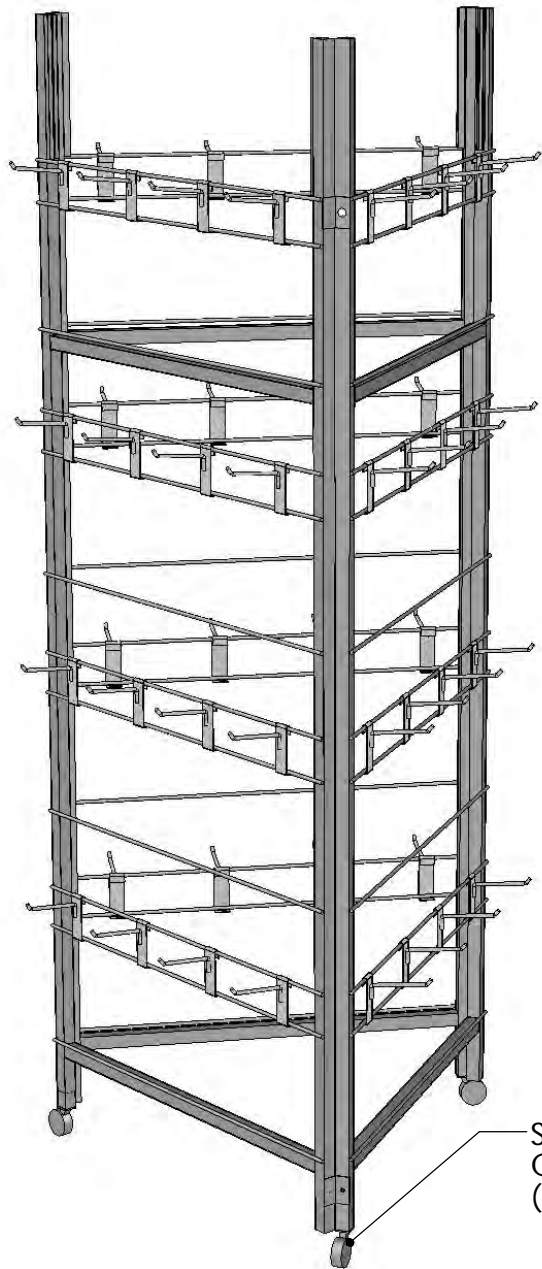
Back

POWDERCOAT BLACK

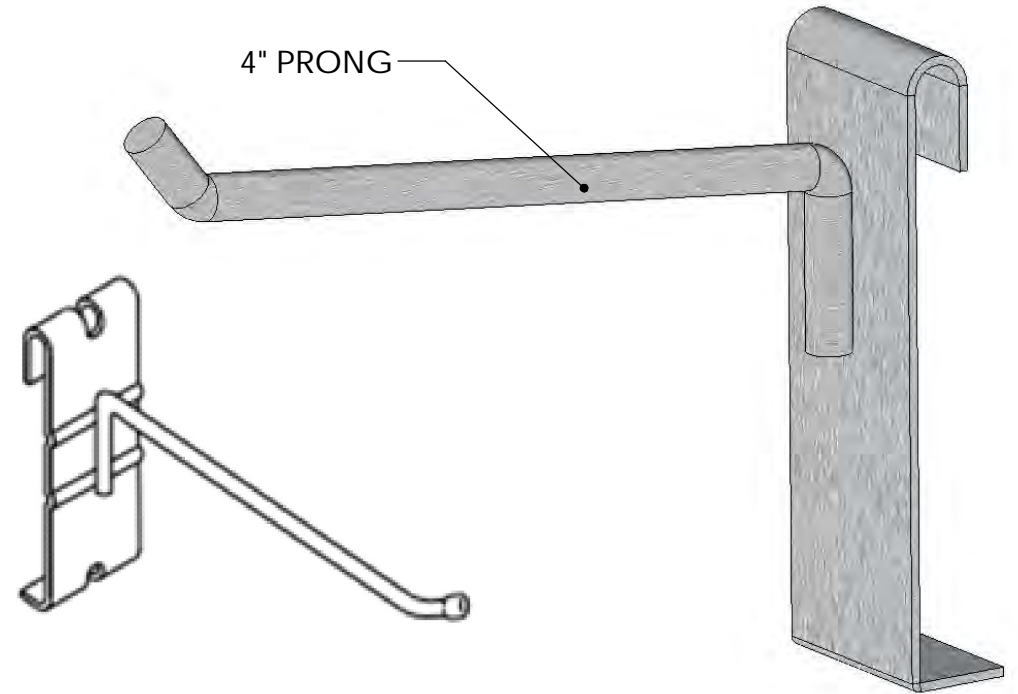


BOARDS (7.6X17.2)

SWIVEL CASTERS
STEEL W/RUBBER TREAD
(3X)



SWIVEL
CASTERS
(3X)



- Fits 2" and 3" grids.
- Notched back fits over center wires.
- Custom powder coated colors available.

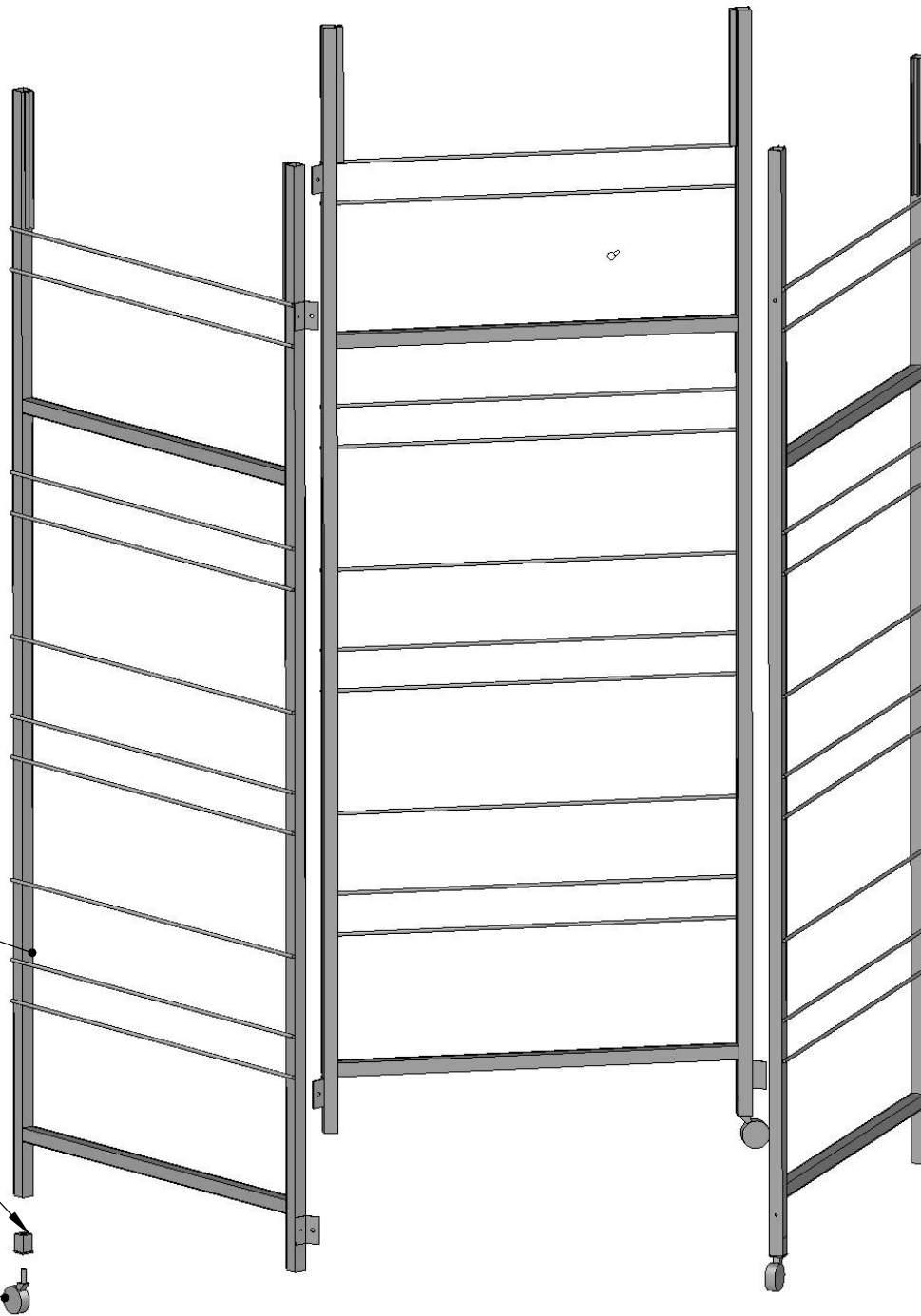
ORDER#: R64-4-224
4" LX .224" DIA. GALV.
Phone: 815-877-7041

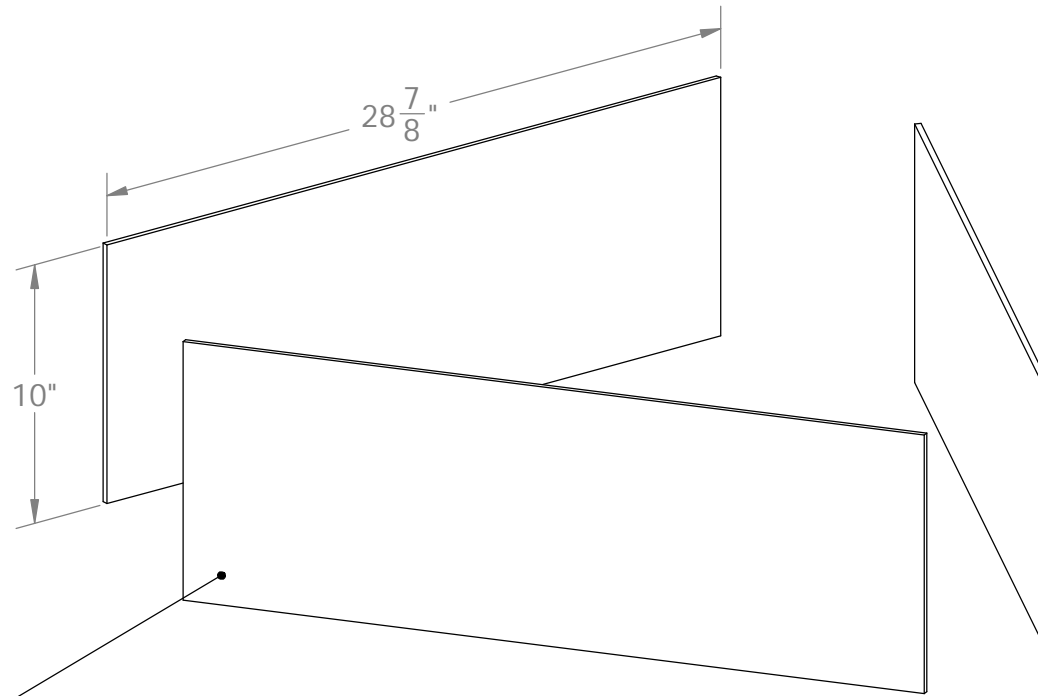
SHIPS IN
3 MAIN PIECES

1" SQUARE TUBING

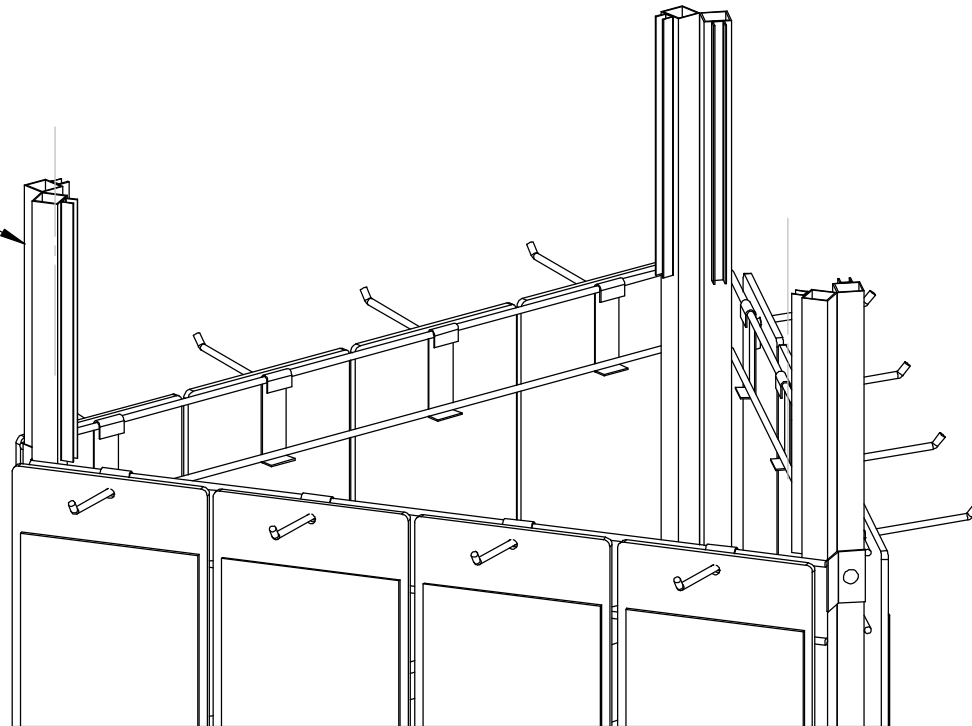
PLASTIC CASTER INSERT
FROM SUPERIOR COMPONENT

STEEL CASTER
W/RUBBER TREAD





SIGNS DROP INTO
SIGN CHANNELS

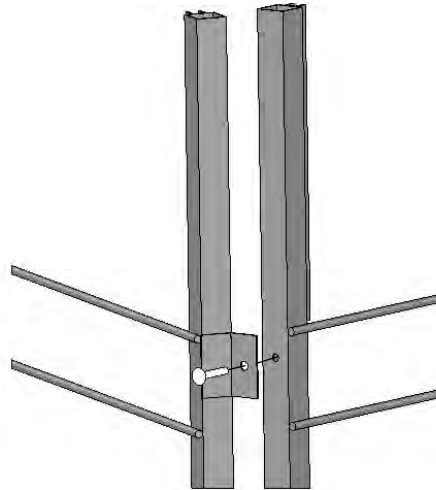


ASSEMBLY INSTRUCTIONS

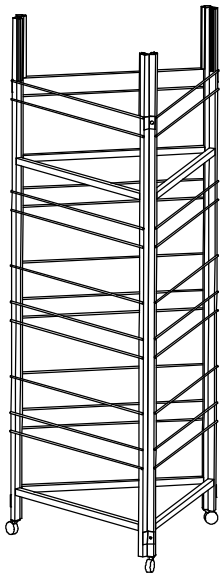
1.) DISPLAY IS COMPRISED OF 3 MAIN FRAMES



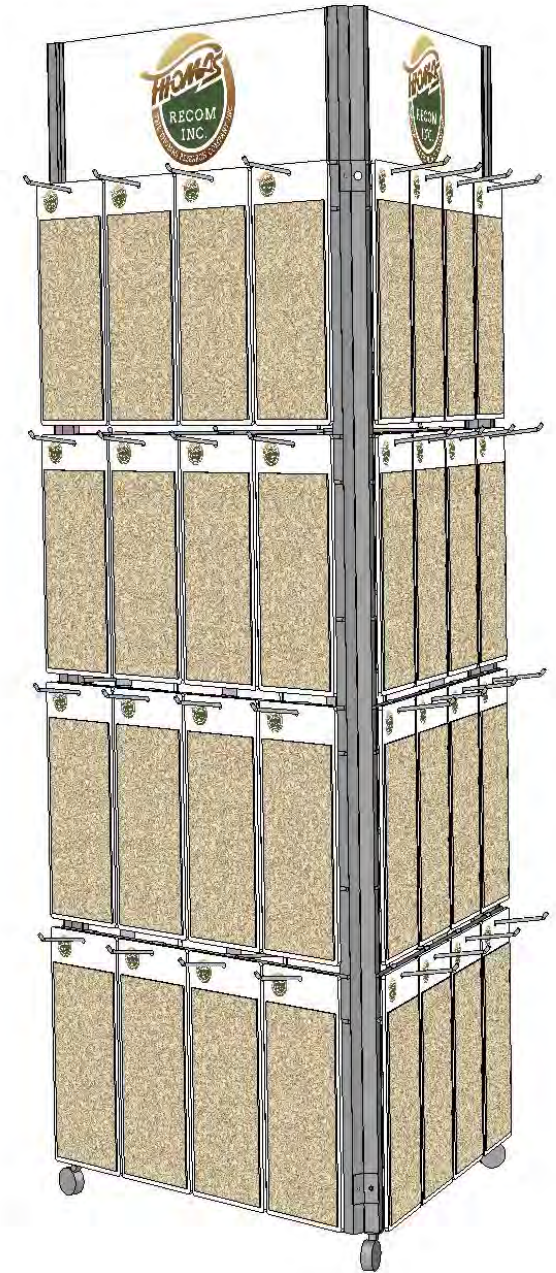
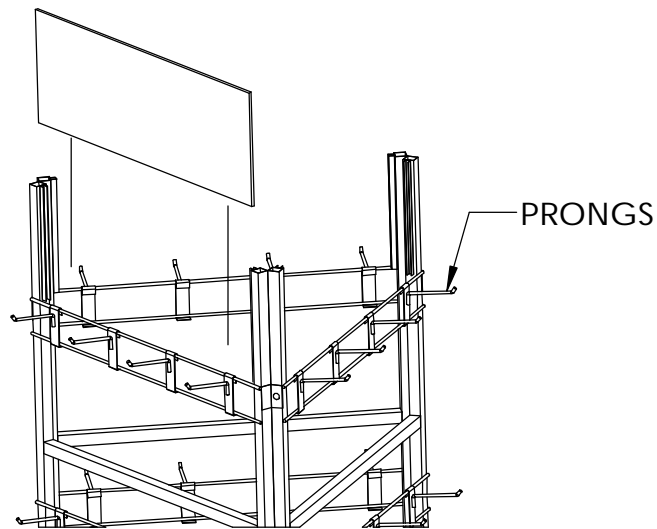
2.) INSTALL SCREWS PROVIDED ON ALL 3 CORNERS, SCREW INTO THREADED HOLES AS SHOWN BELOW (LEAVE LOOSE UNTIL FULLY ASSEMBLED)



3.) TIGHTEN ALL BOLTS/NUTS AFTER ALL ARE INSTALLED



4.) DROP SIGNS INTO CHANNELS AND INSTALL PRONGS AS SHOWN HERE



COMPLETED DISPLAY WITH YOUR SAMPLE BOARDS APPLIED