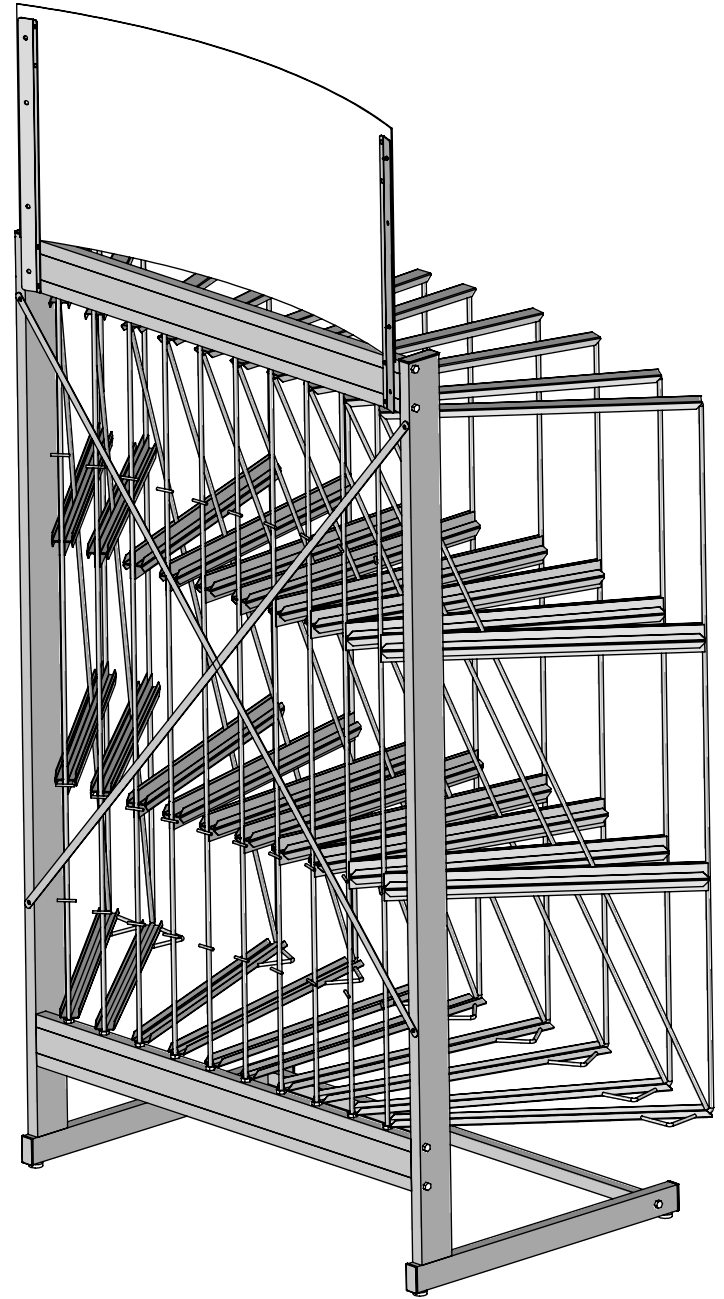
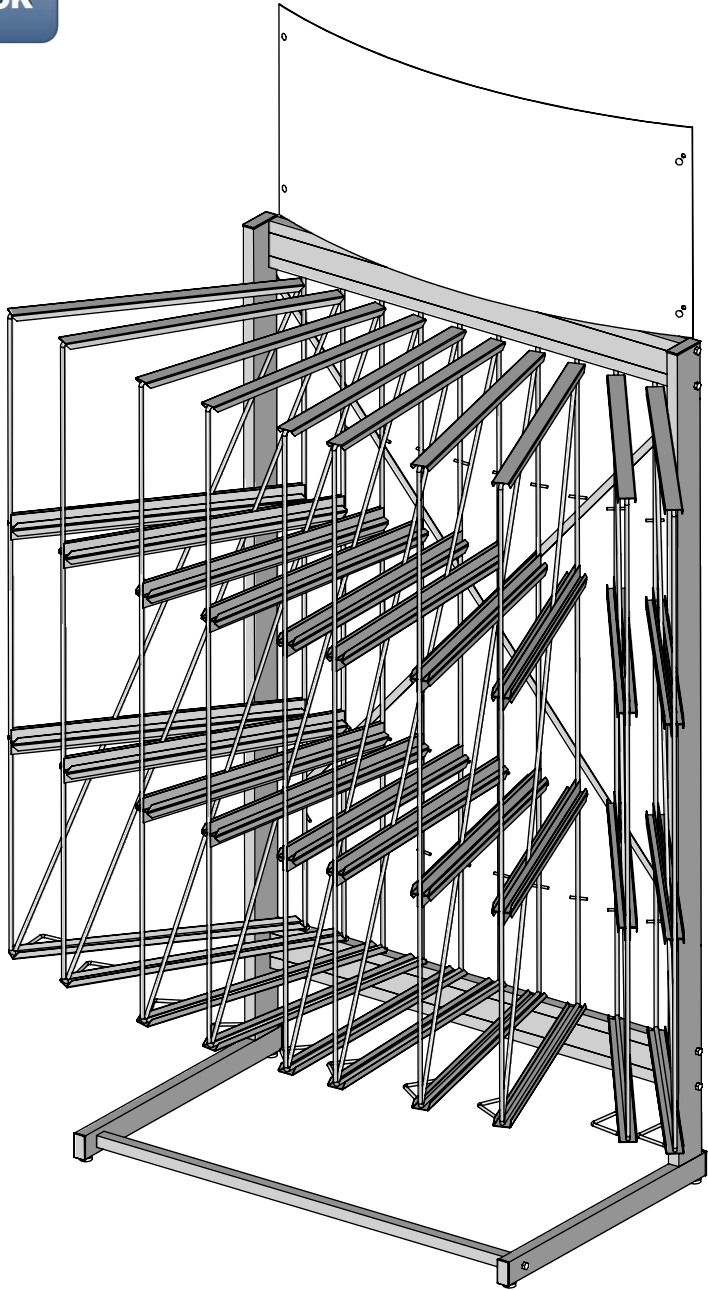
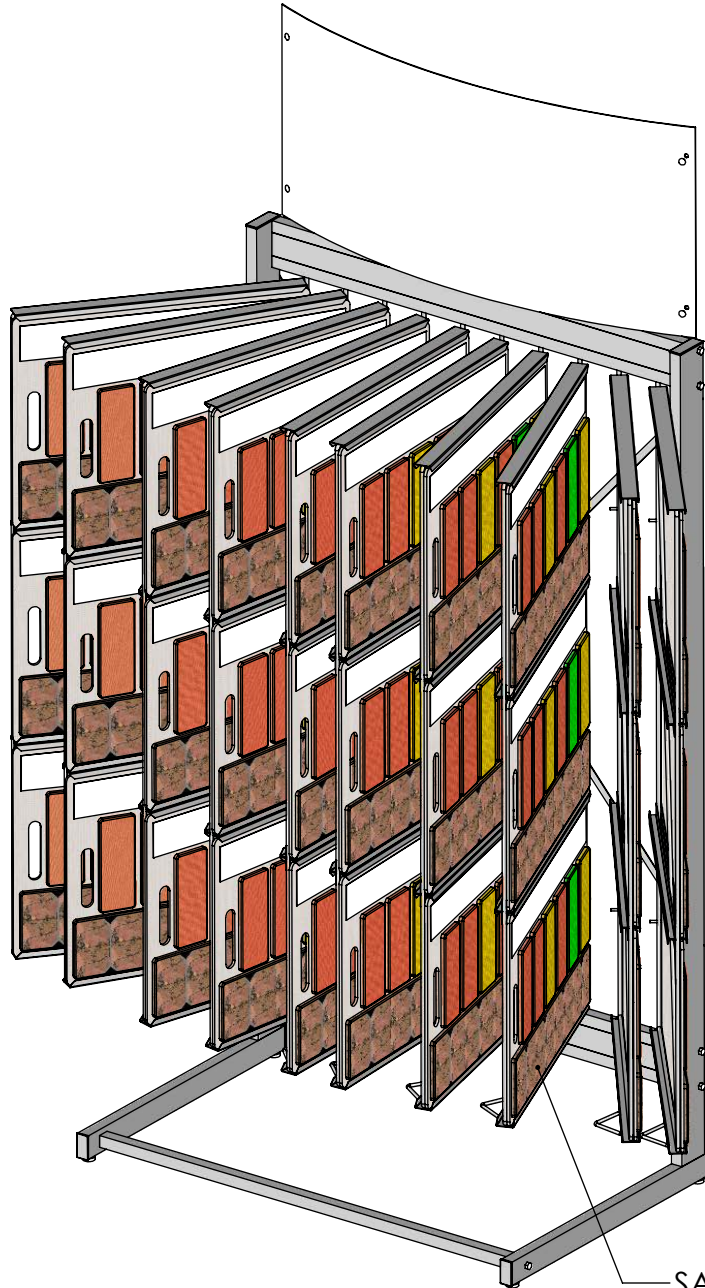


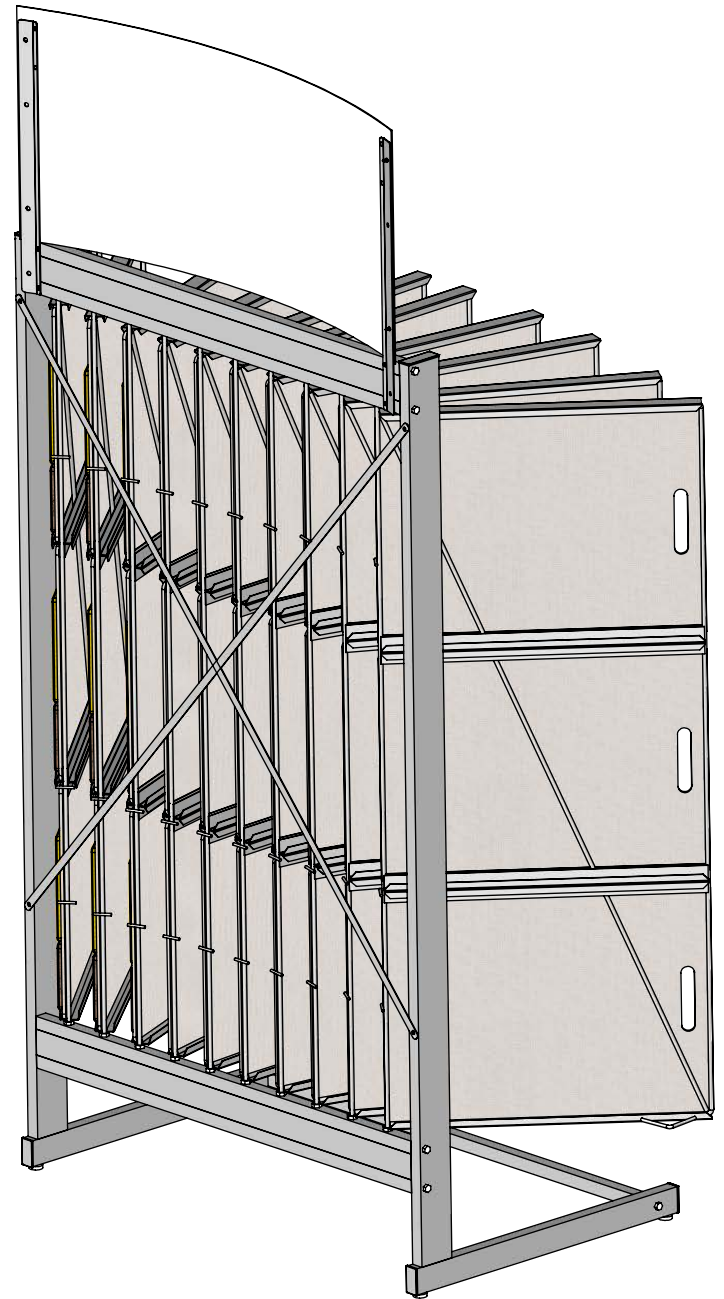
Back

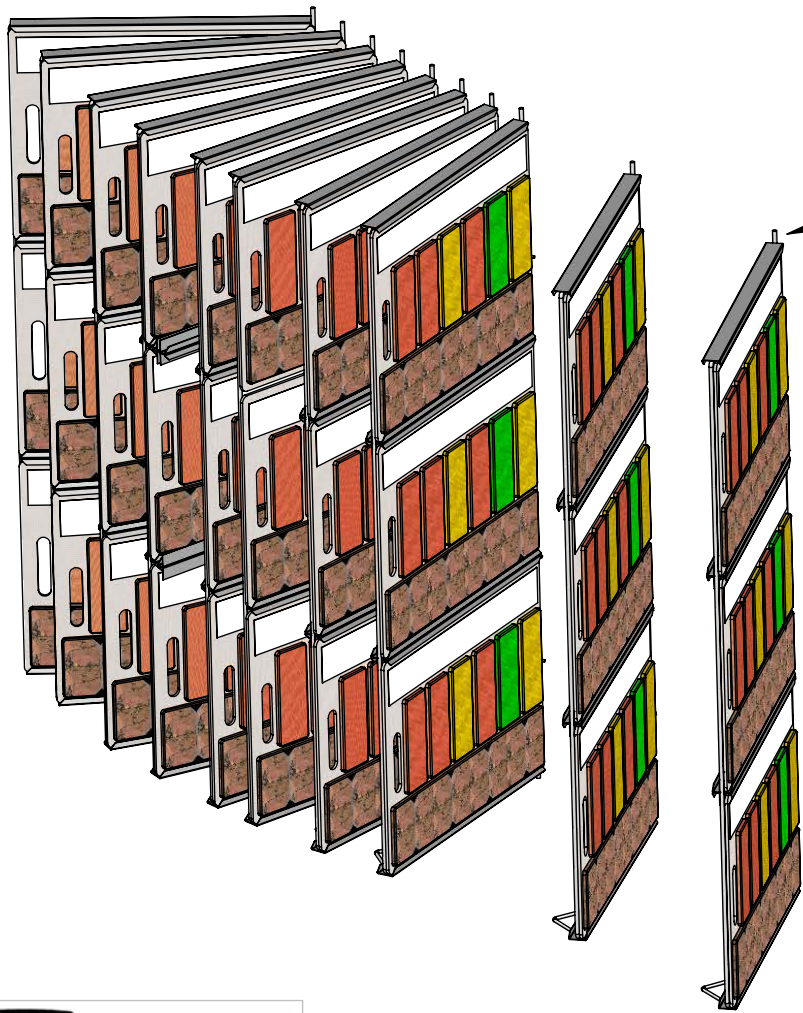


VIEW WITH SAMPLE BOARDS SHOWN INSTALLED ON ONE SIDE OF WINGS

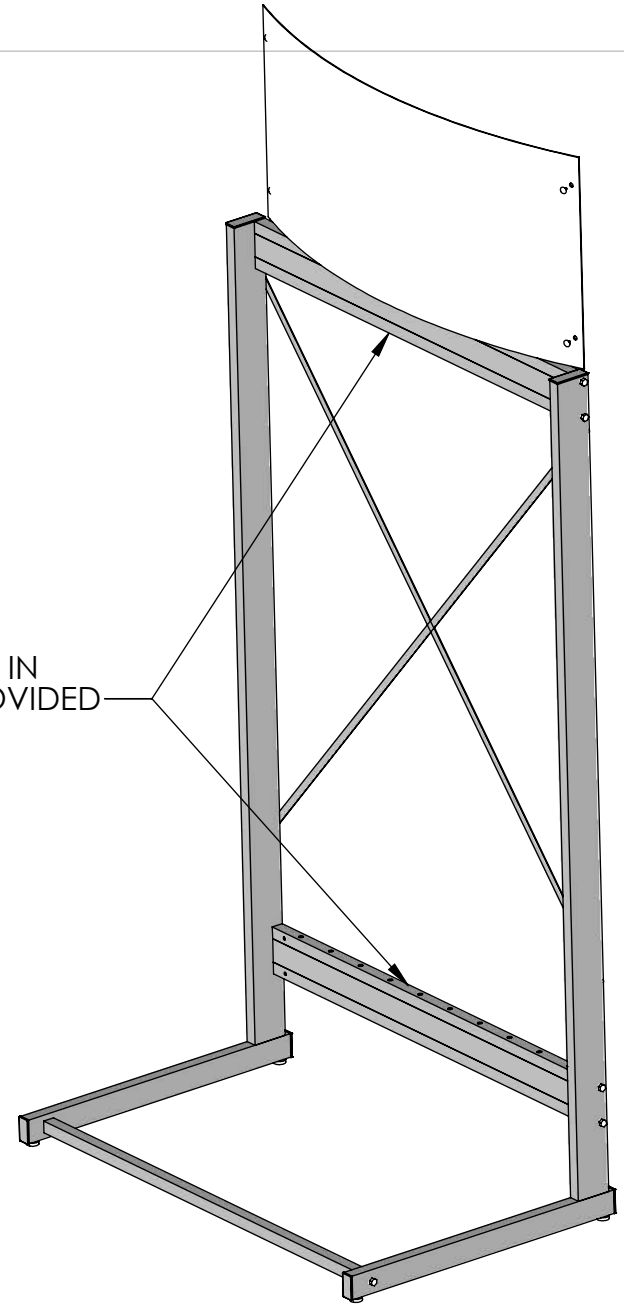


SAMPLE BOARDS SHOWN FOR EXAMPLE ONLY

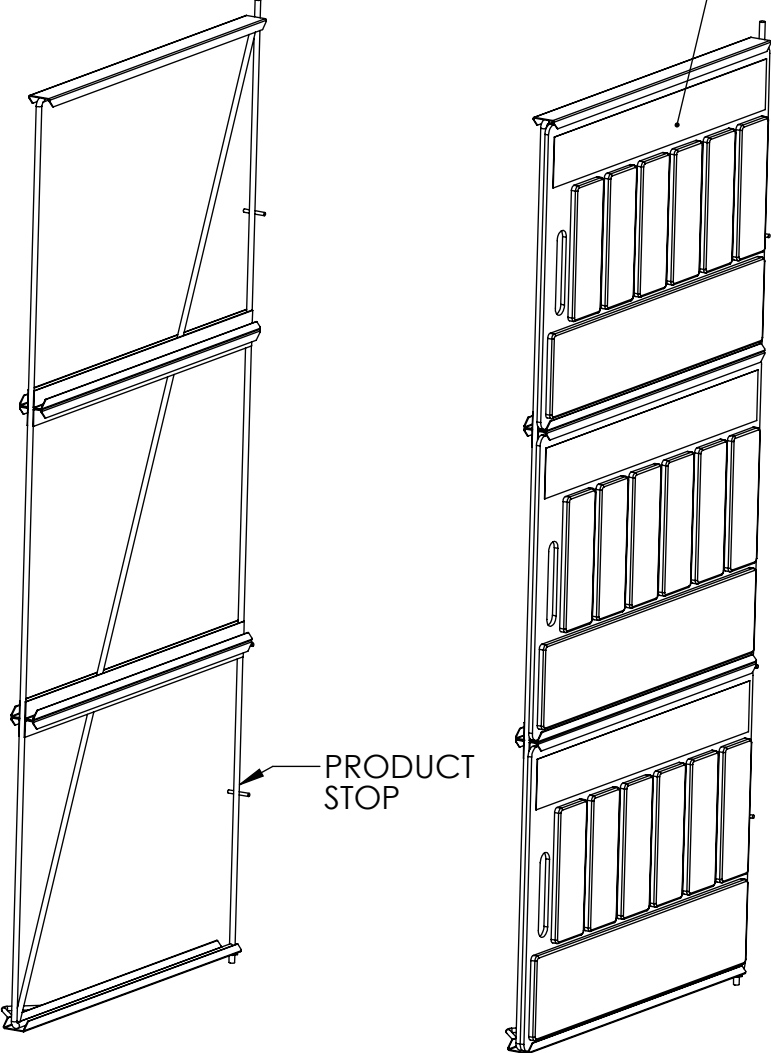




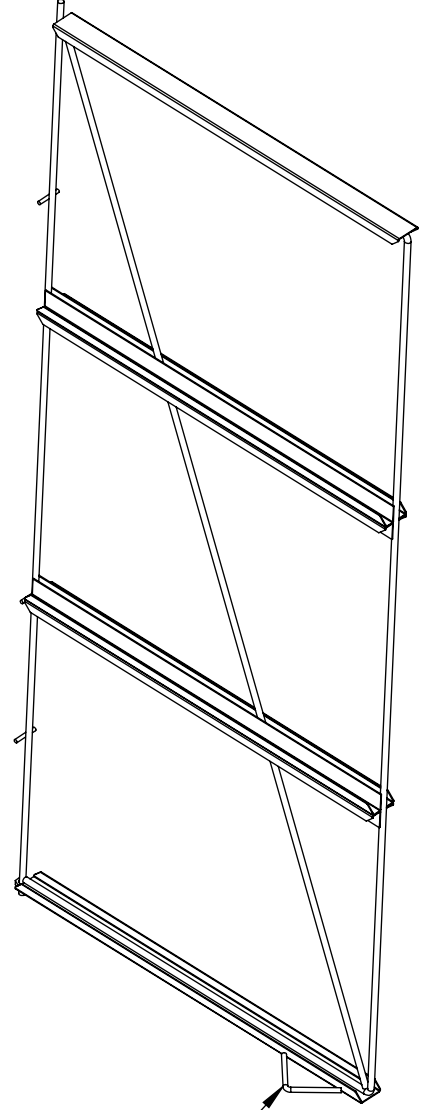
PINS PIVOT IN HOLES PROVIDED



TO ACCOMODATE
18X24 BOARDS

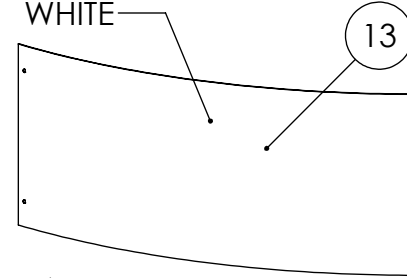


PRODUCT
STOP

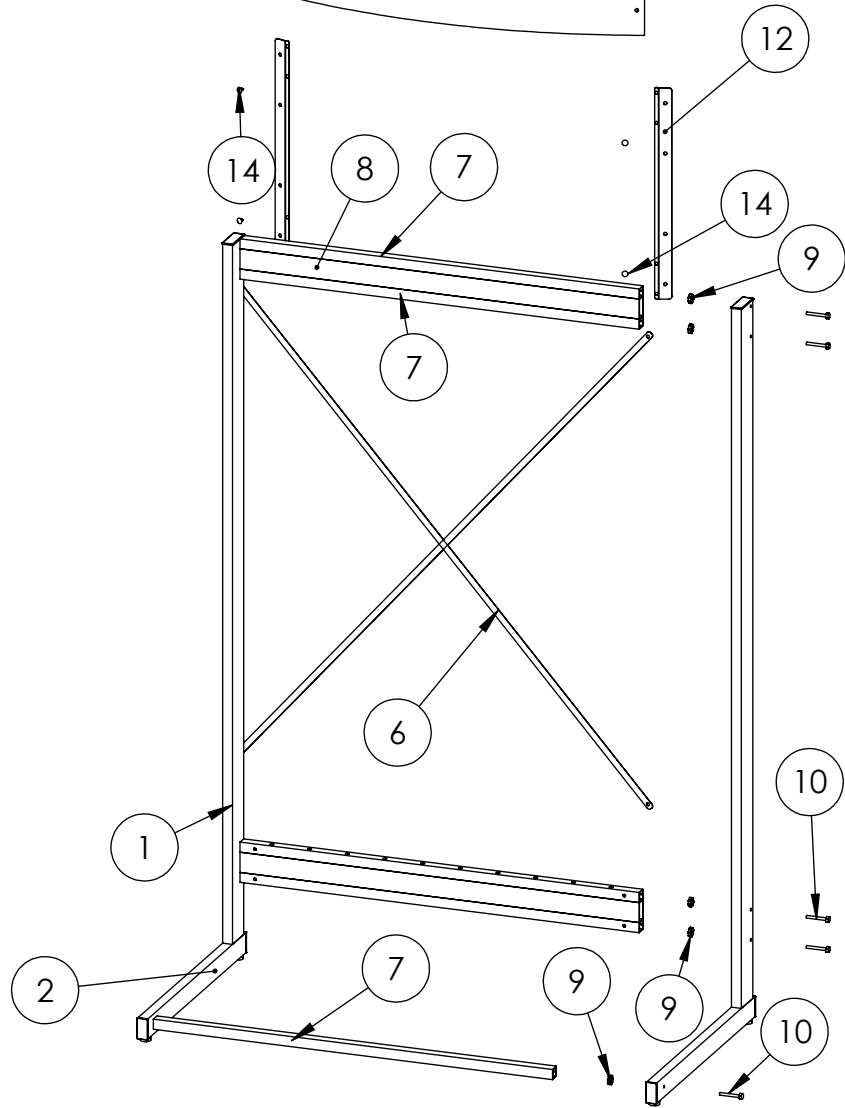


SPACER PROVIDED

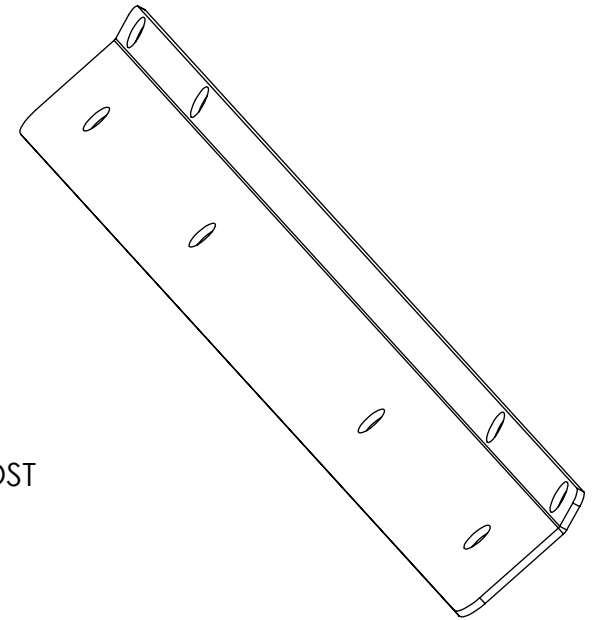
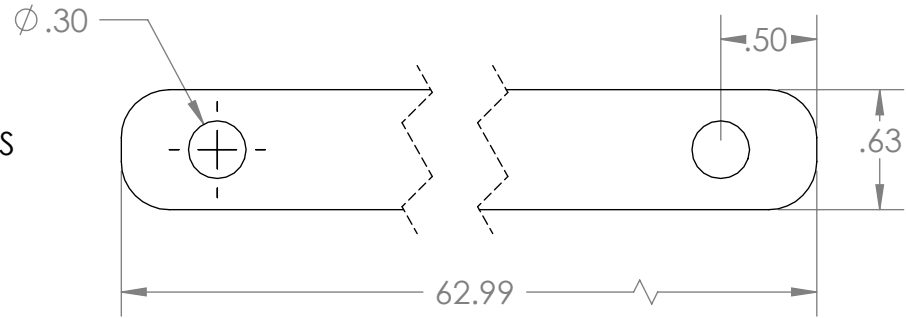
SIGN POWDERCOAT
WHITE



MAIN FRAME
POWDERCOAT BLACK



DESCRIPTION: FLAT BAR
 MATERIAL: 16 GA. X 5/8" CRS
 EDGE BANDING:



DESCRIPTION: SIGN POST
 MATERIAL: 14 GA. CRS
 EDGE BANDING:

