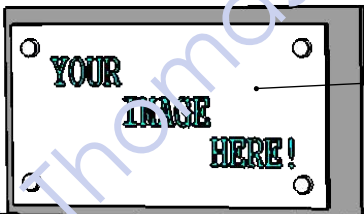
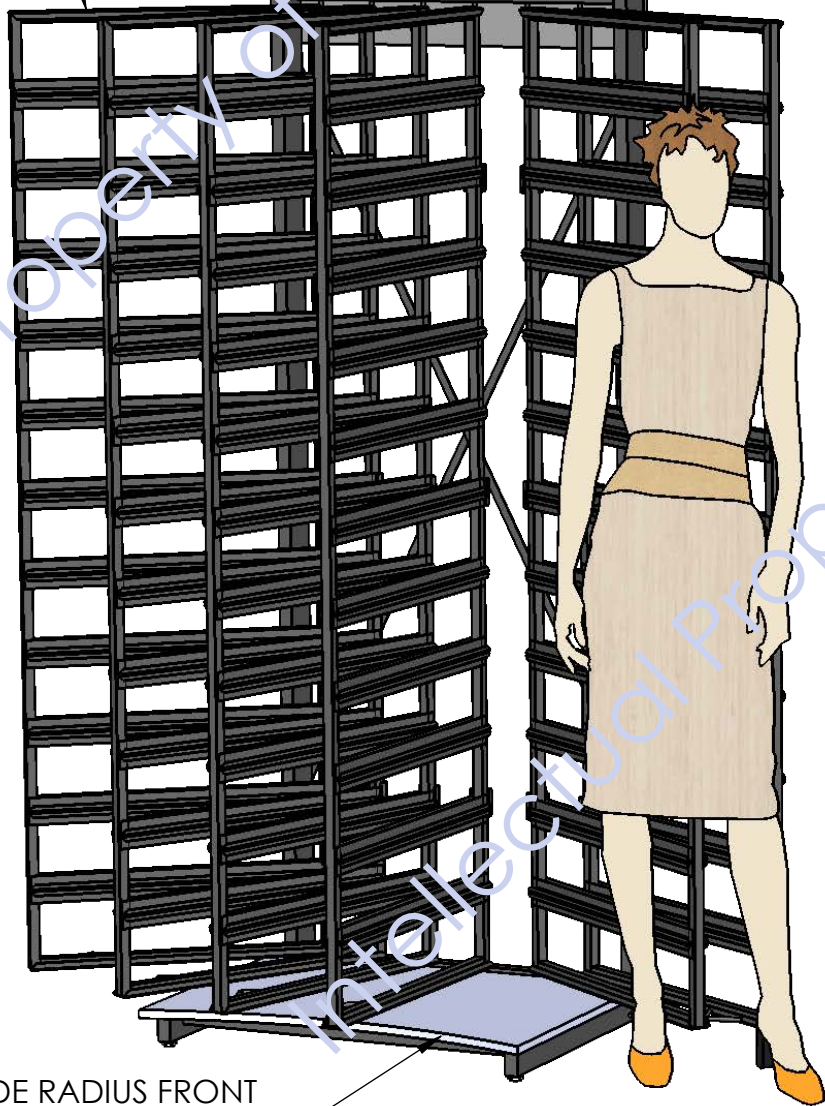


Back

WING PANELS  
EASILY LIFTED  
OUT



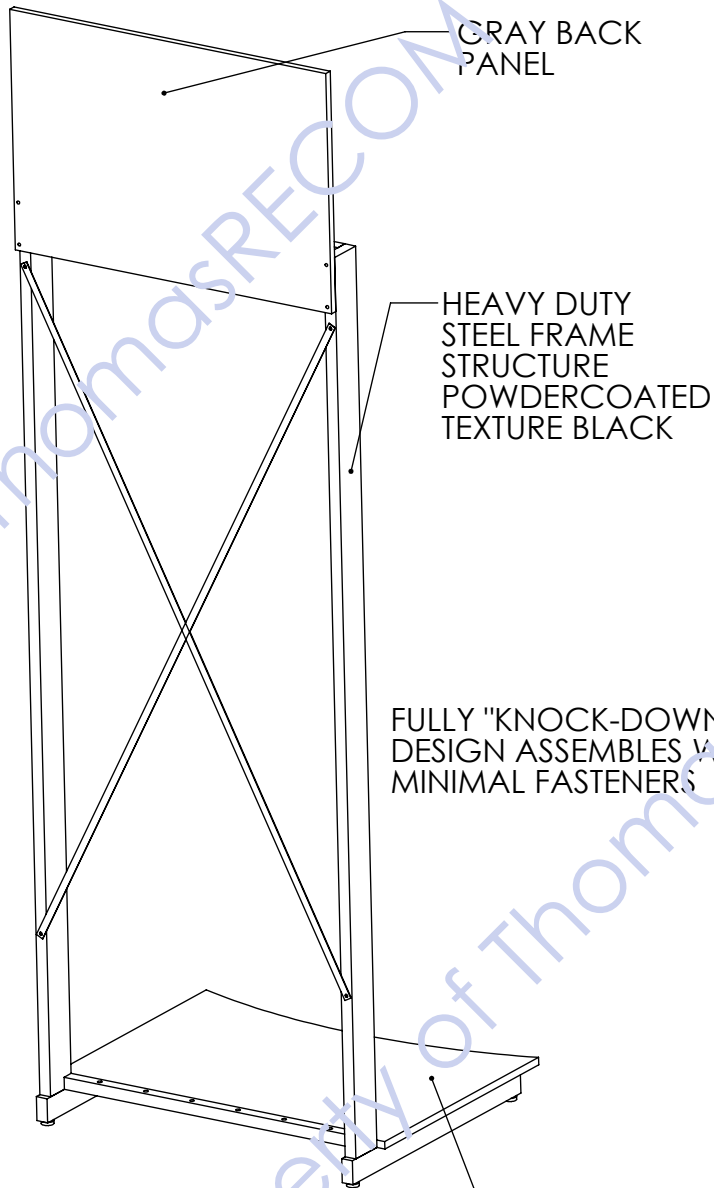
CLEAR ACRYLIC SIGN  
WITH 4-COLOR GRAPHICS  
ON STAND-OFFS



INSIDE RADIUS FRONT  
ON DECK PANEL

**THOMAS RECOM**  
THE THOMAS RESEARCH COMPANY INC.  
1-800-878-2860 • WWW.THOMASRECOM.COM

DESC.: 6 WING DISPLAY 31 WIDE (3)



GRAY BACK  
PANEL

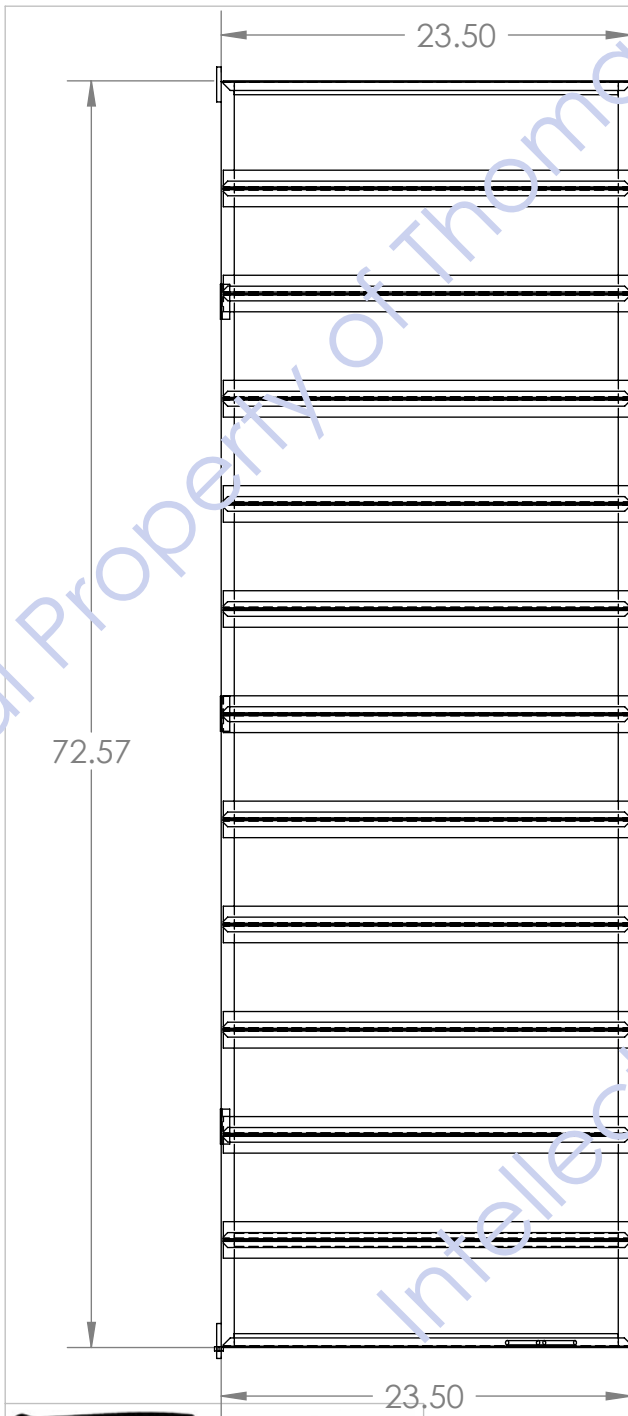
HEAVY DUTY  
STEEL FRAME  
STRUCTURE  
POWDERCOATED  
TEXTURE BLACK

FULLY "KNOCK-DOWN"  
DESIGN ASSEMBLES WITH  
MINIMAL FASTENERS

5/8" THICK PARTICLE BOARD  
GRAY COLOR WITH EDGE BANDING  
ALL EDGES

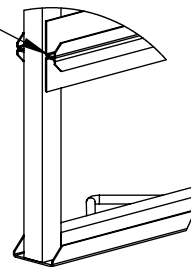
PART#: 168

DATE: 8/29/2010 SHEET 1 OF 4

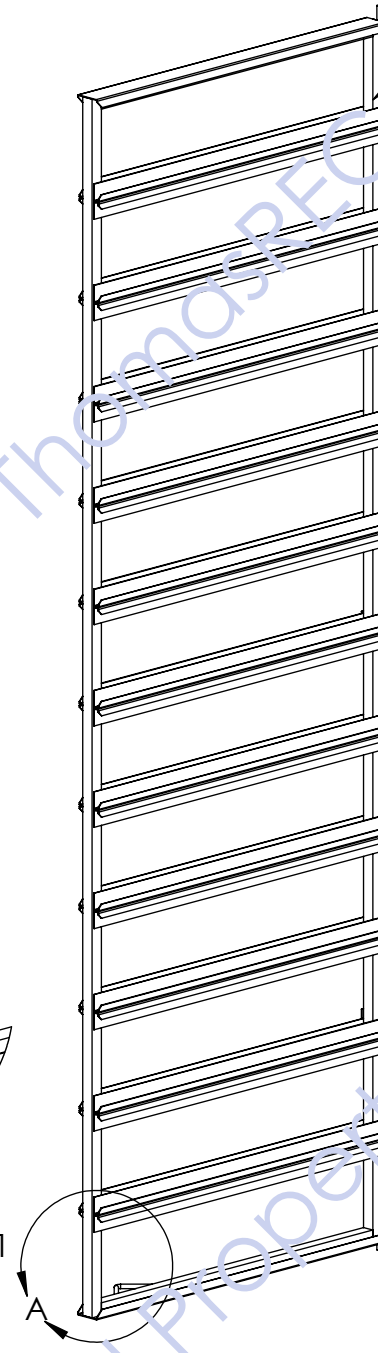


6.03  
TO ACCEPT  
6 X 23 5/8  
BOARDS

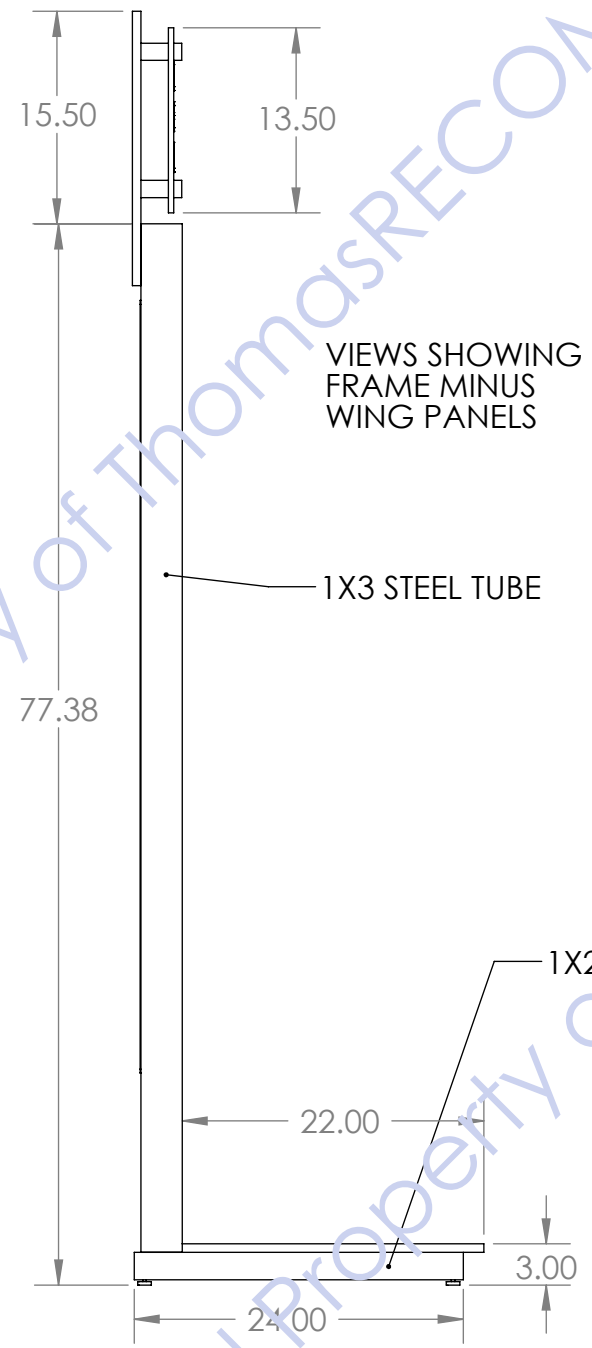
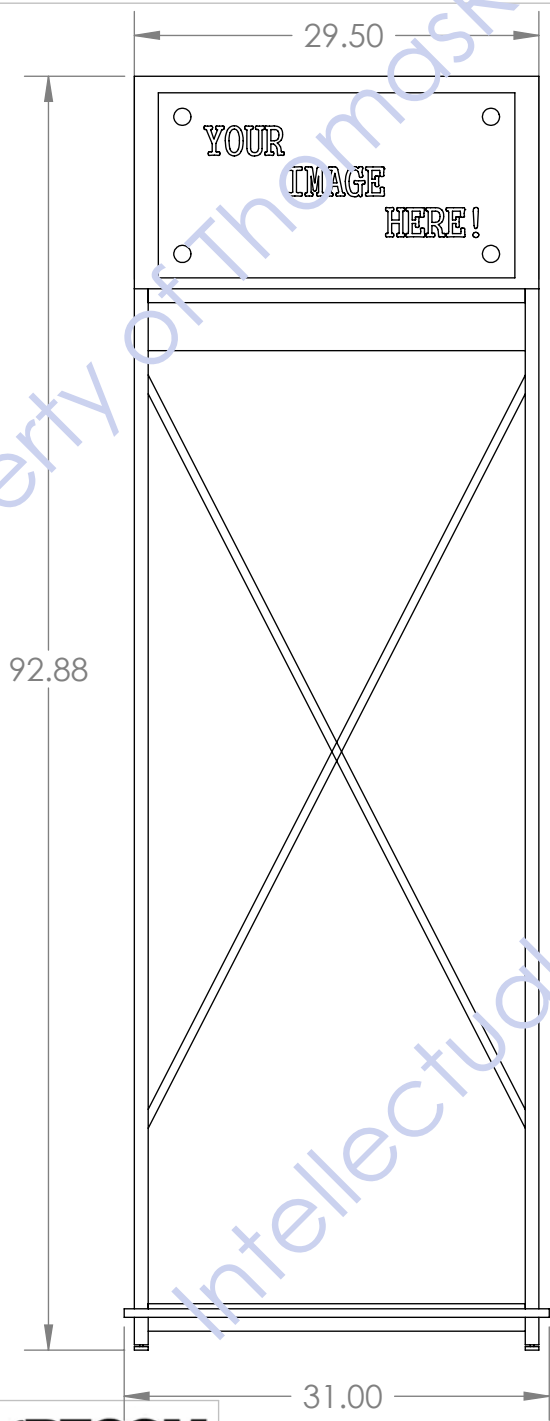
CHANNELS  
5.16" I.D.



DETAIL A  
SCALE 2 : 11



WING PANELS ACCEPT  
24 DISPLAY BOARDS  
12 ON EACH SIDE



VIEWS SHOWING  
FRAME MINUS  
WING PANELS

1X3 STEEL TUBE

1X2 STEEL TUBE

TOP VIEW

