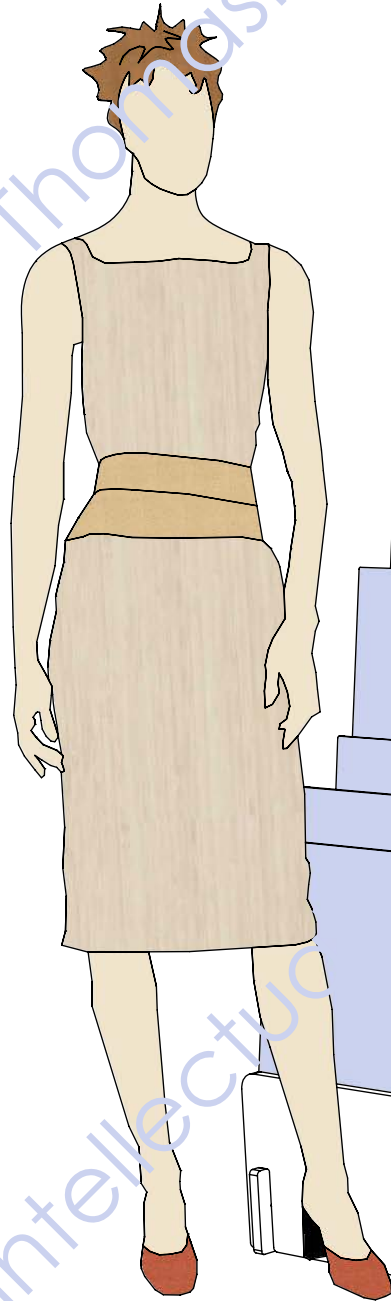


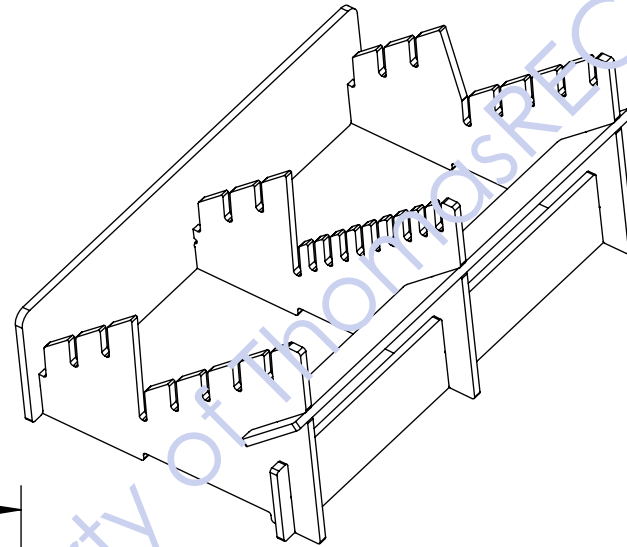
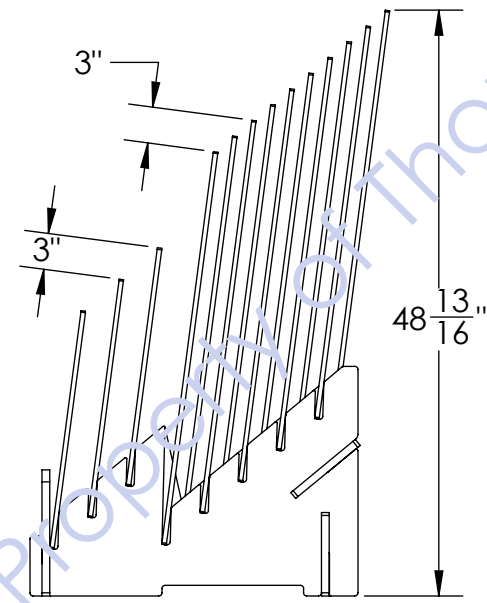
Daltile part #: 9999481802



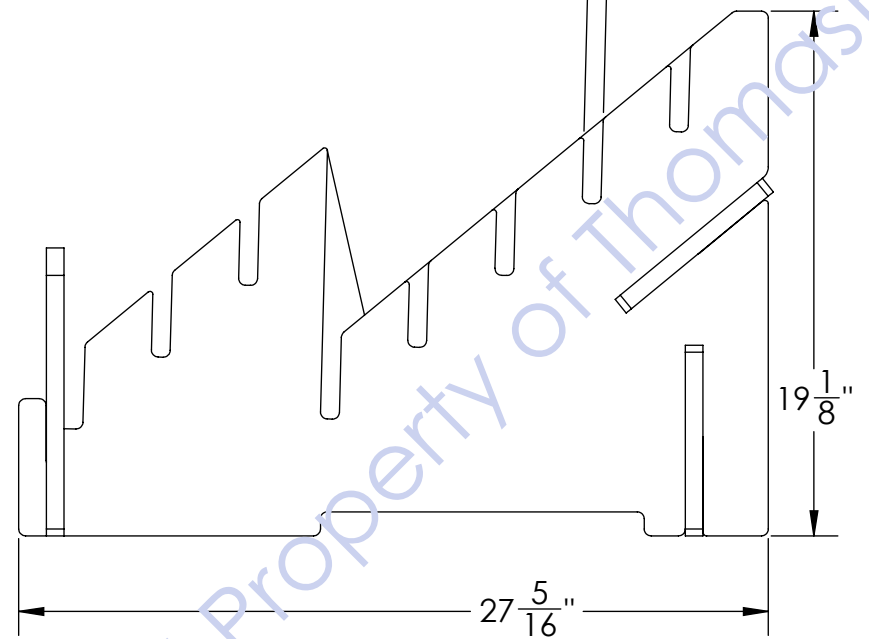
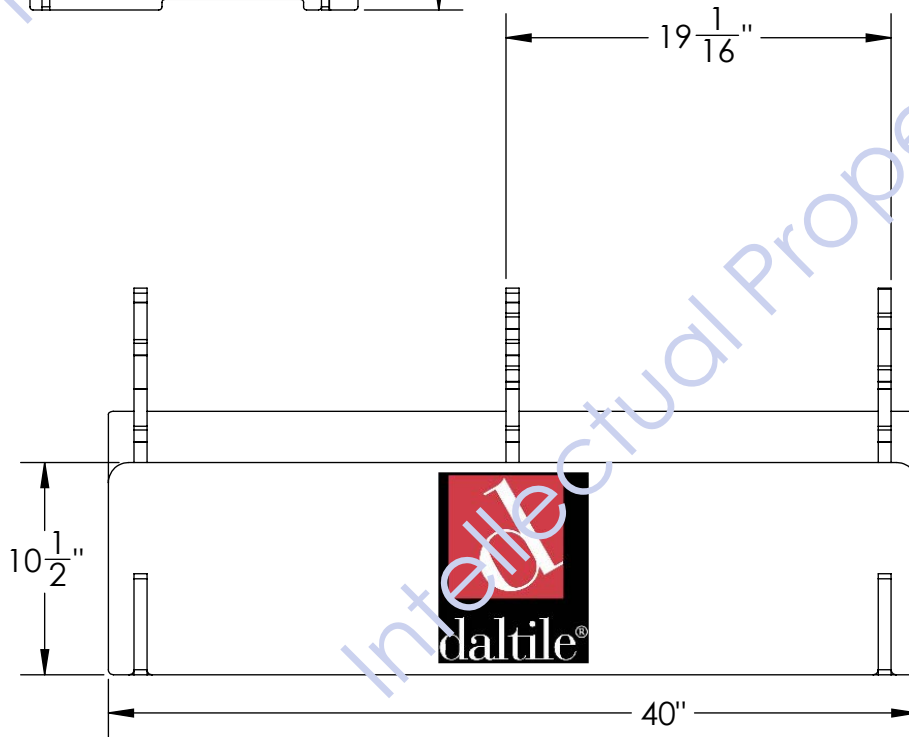
33X33

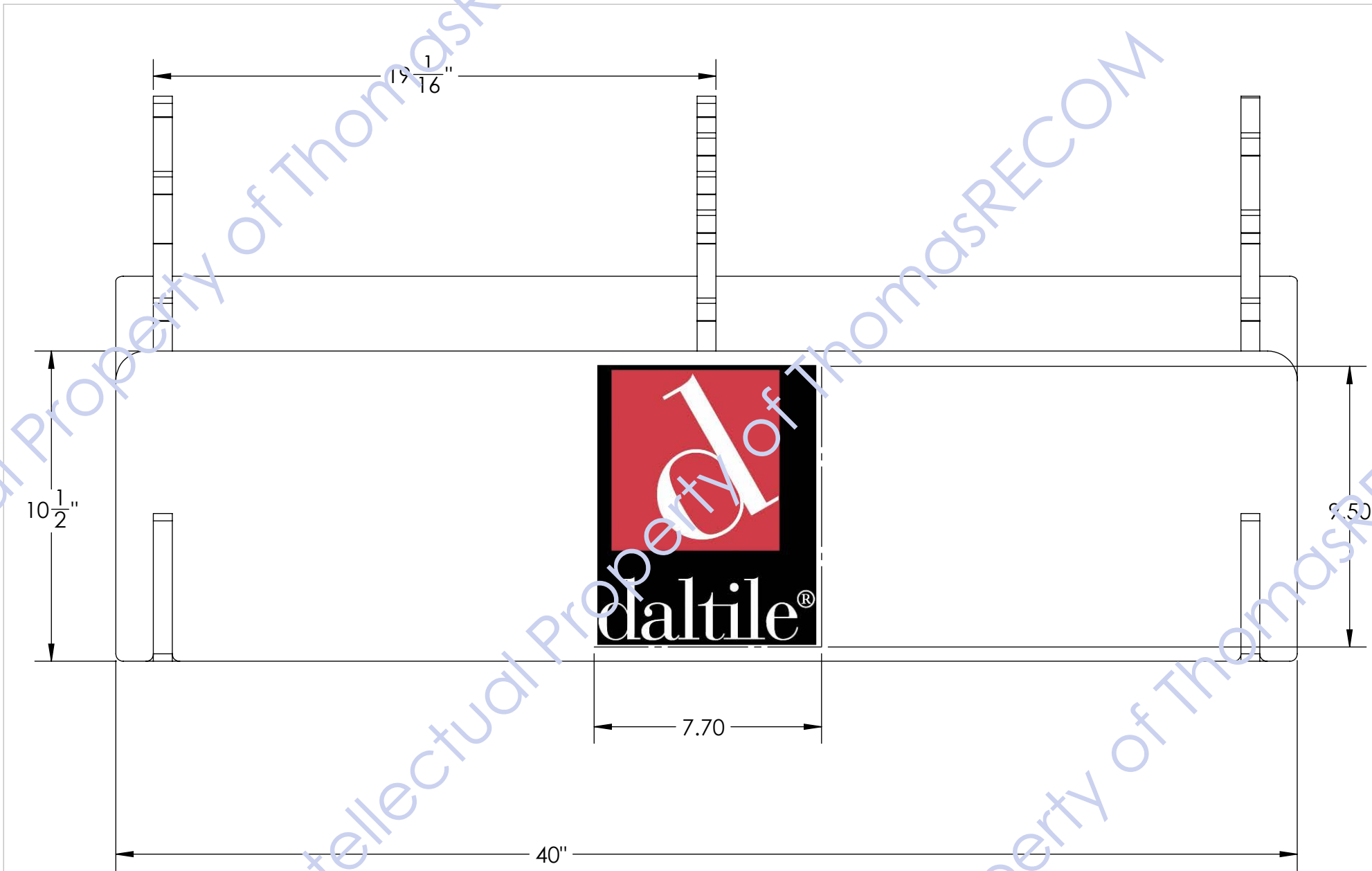
20X40

11/16 SLOTS



$\frac{11}{16}$ "





PLEASE NOTE SPECIAL ATTENTION TO THE CENTER PANEL PLACEMENT IS CRITICAL

