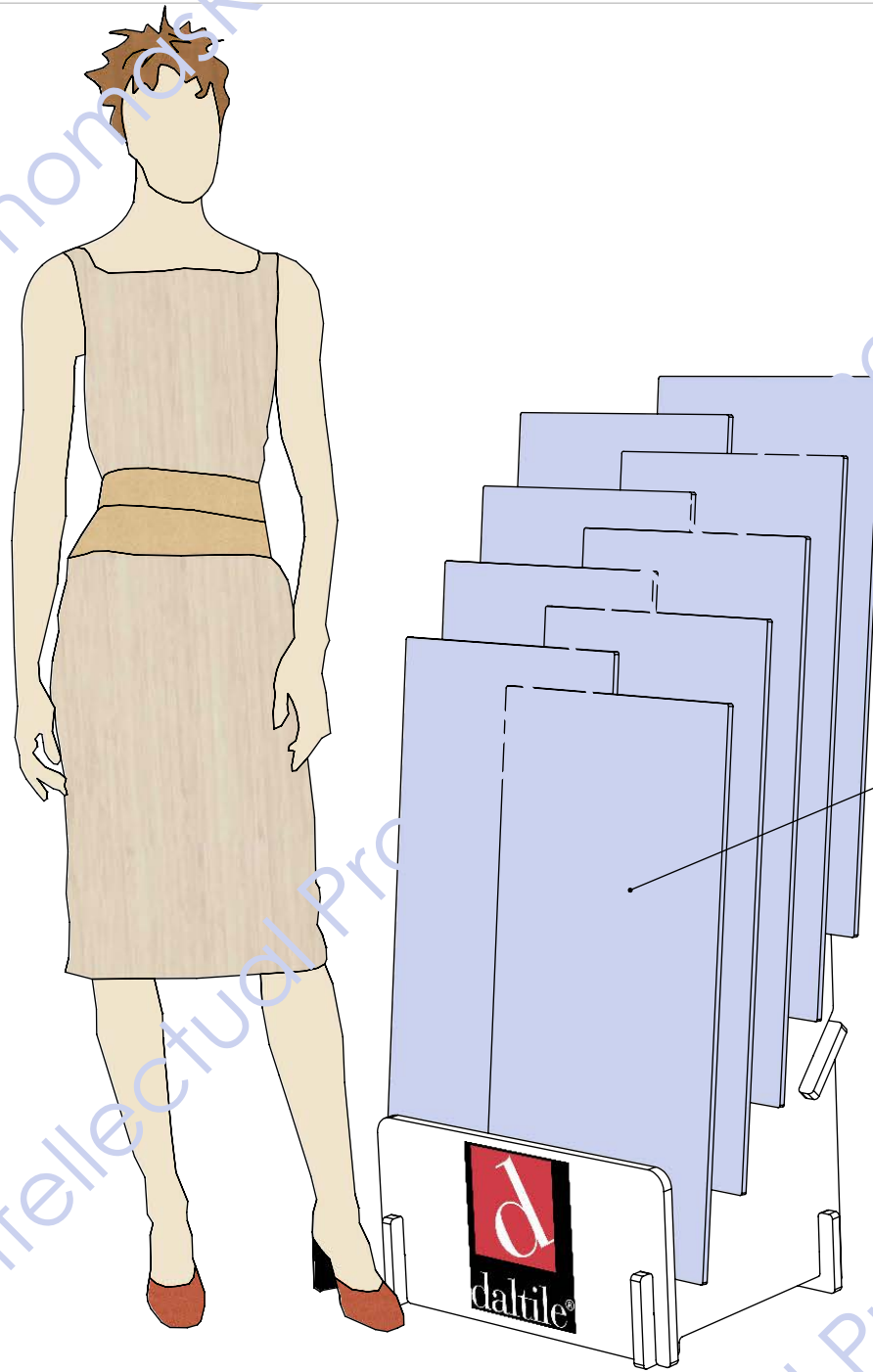
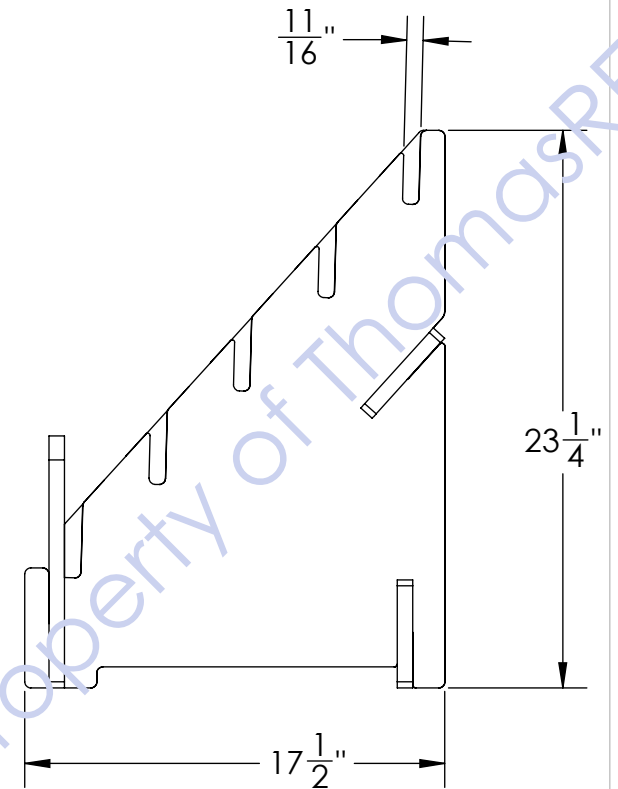
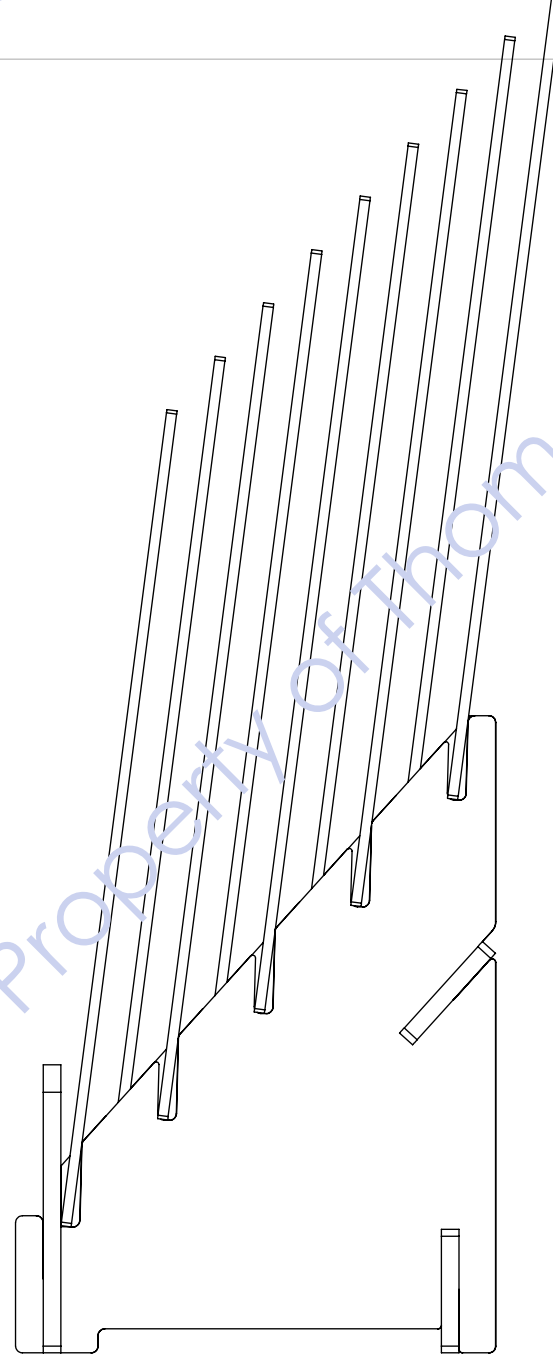
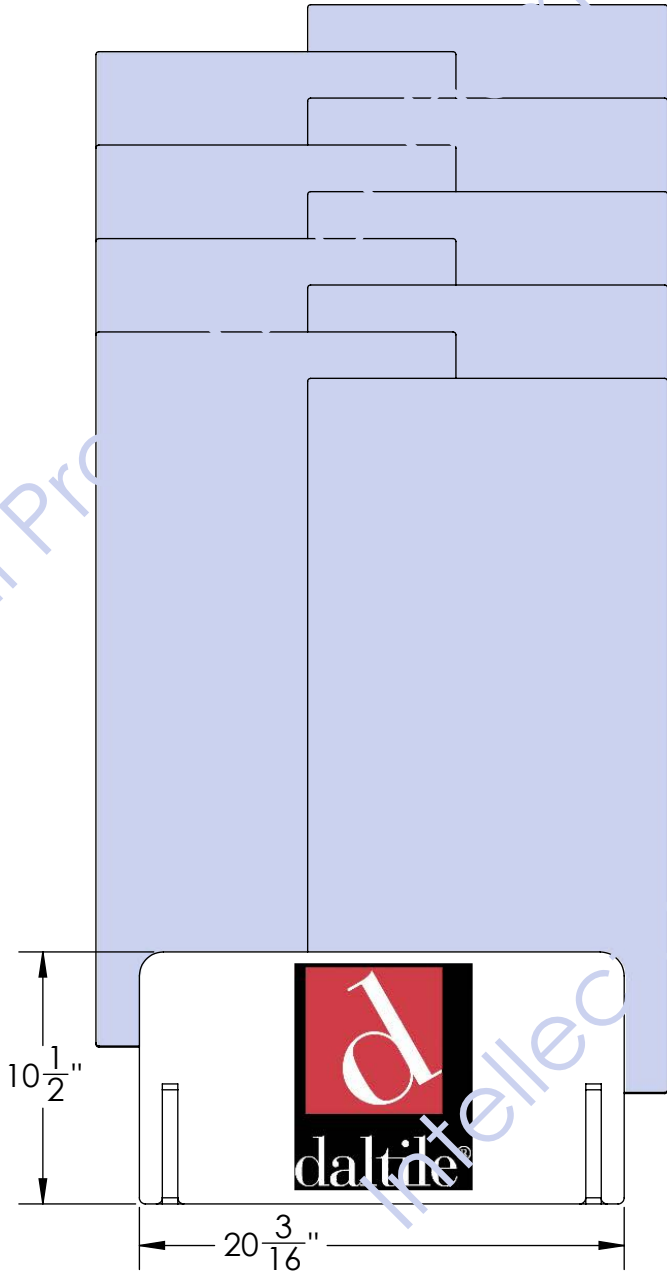


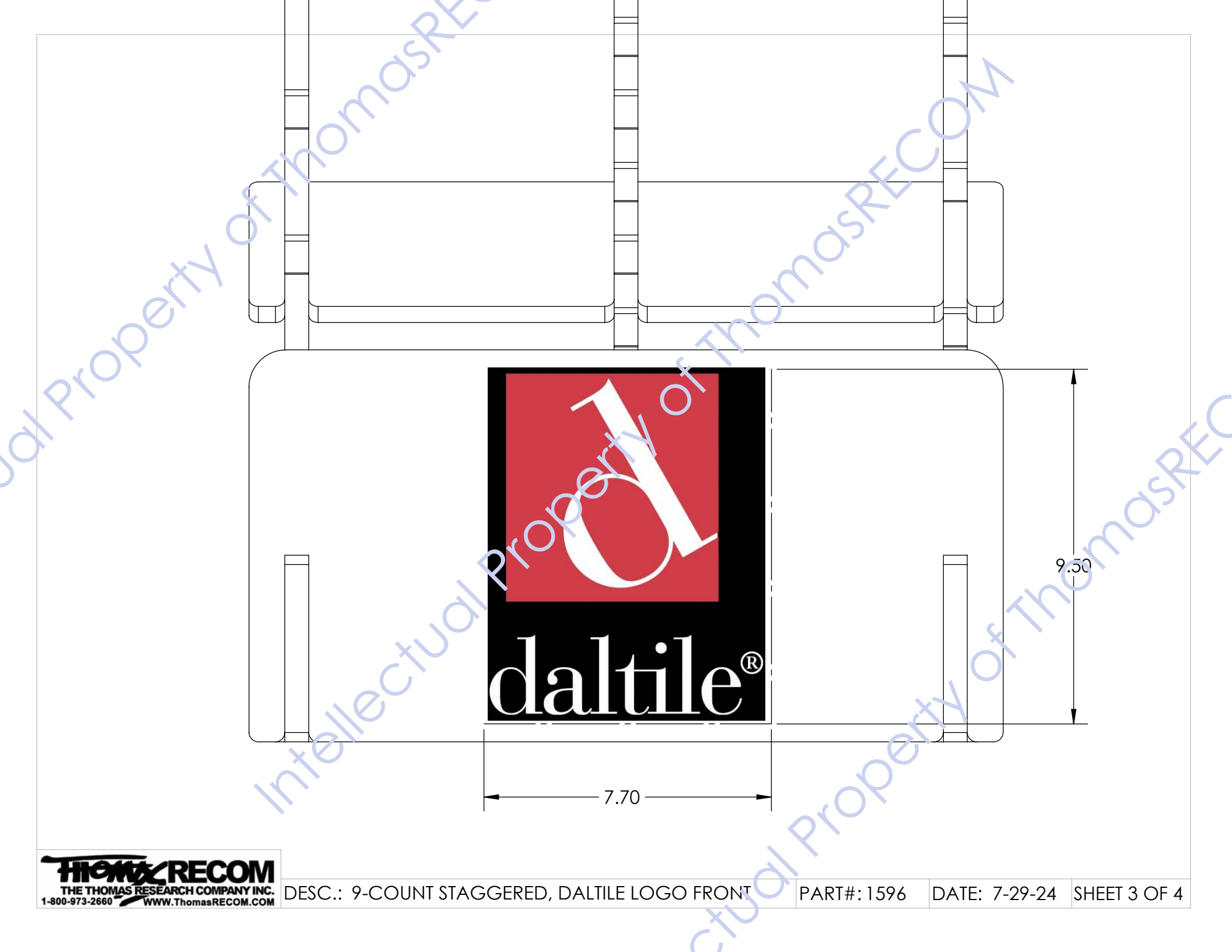
Back



DEPICTING
15X30
SAMPLES

11/16 SLOTS





PLEASE NOTE SPECIAL ATTENTION TO THE CENTER PANEL PLACEMENT IS CRITICAL

