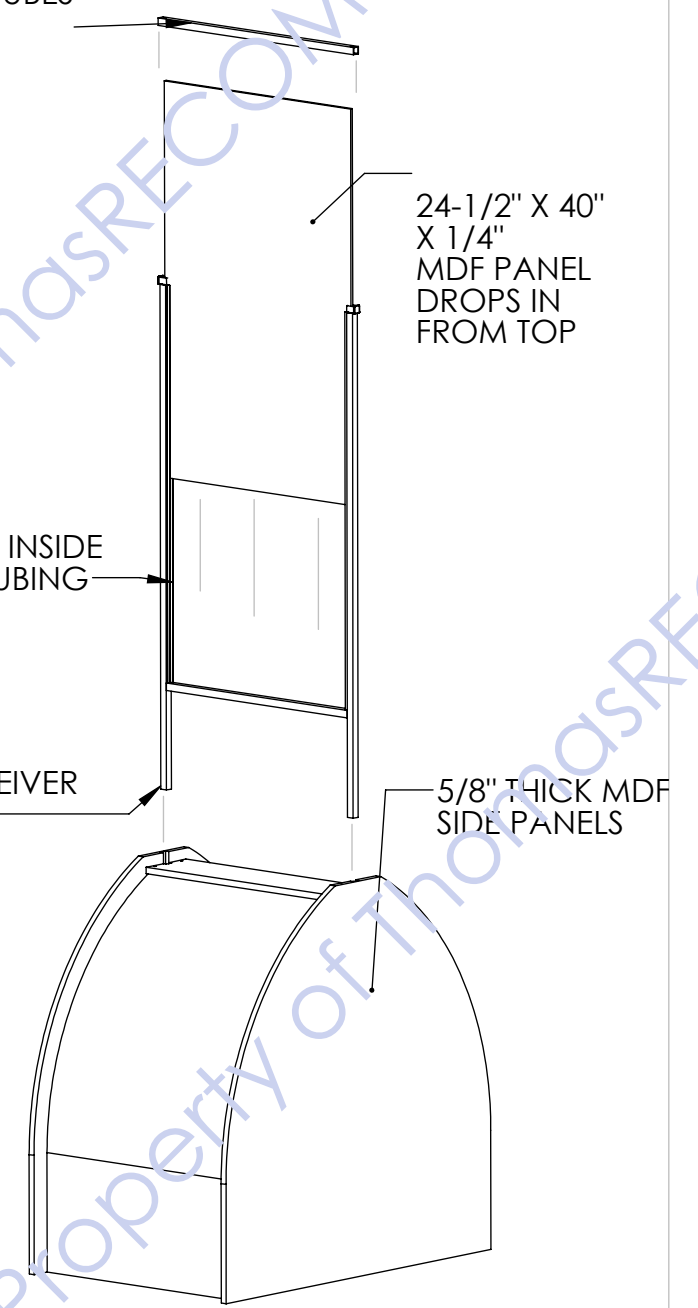
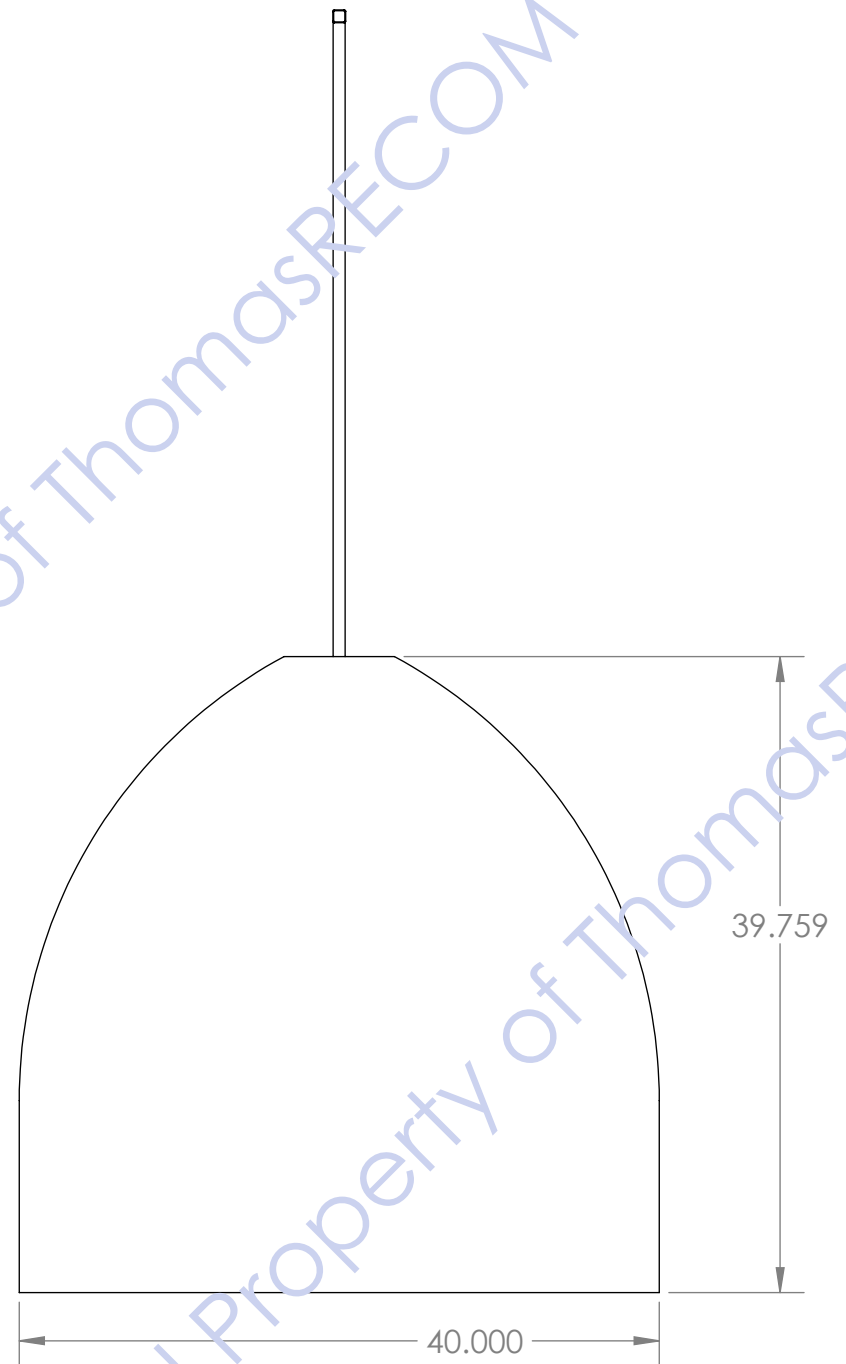
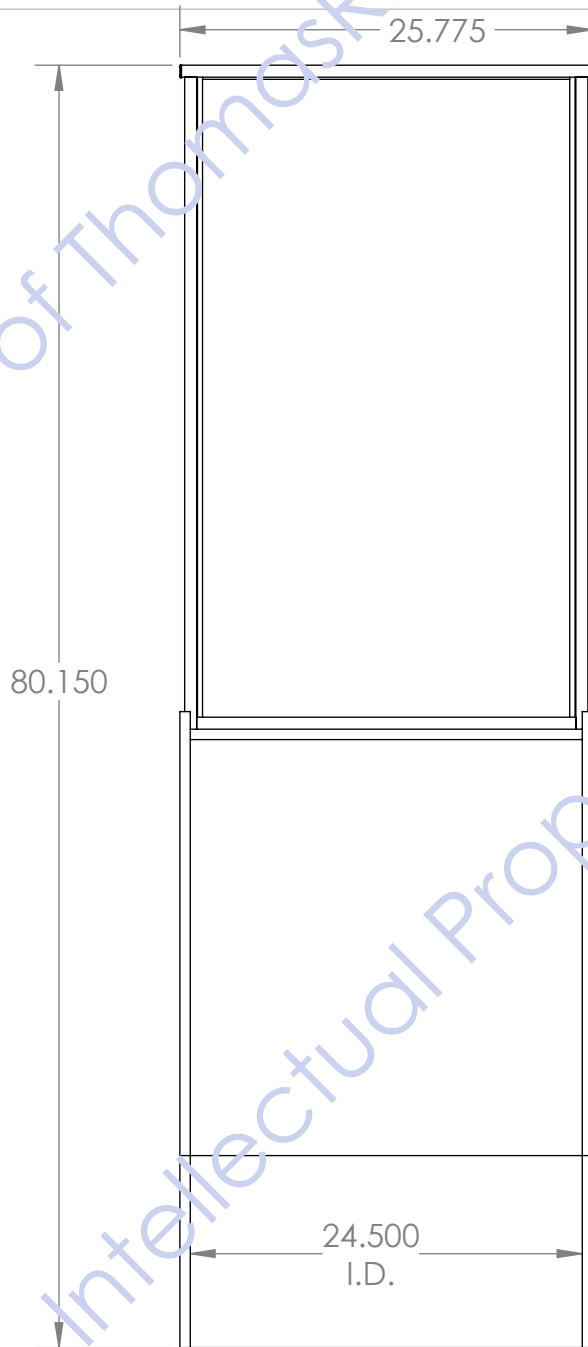


TOP TUBE BOLTS INTO TOP OF VERTICAL TUBES





METAL UPPER SIGN ASSEMBLY

