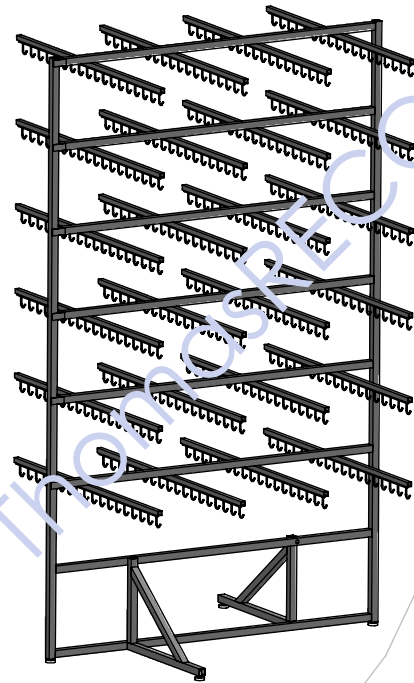
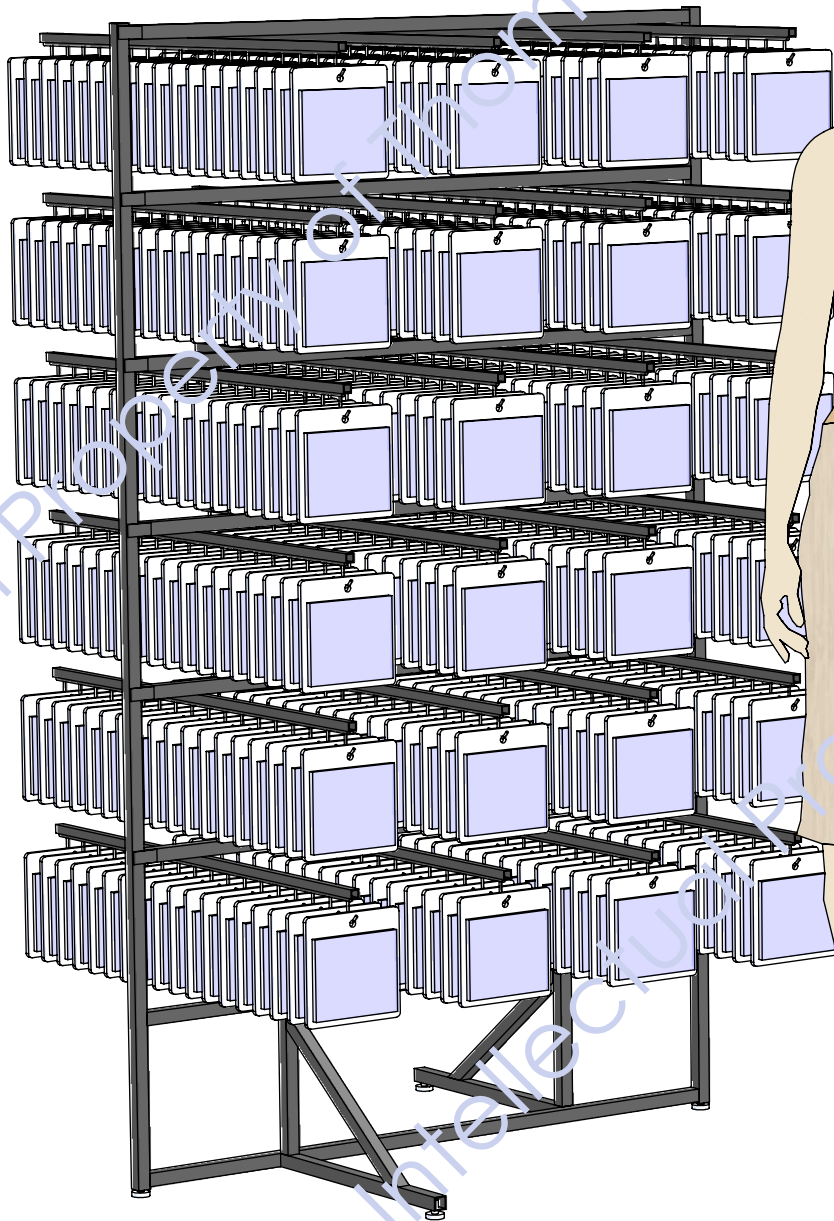
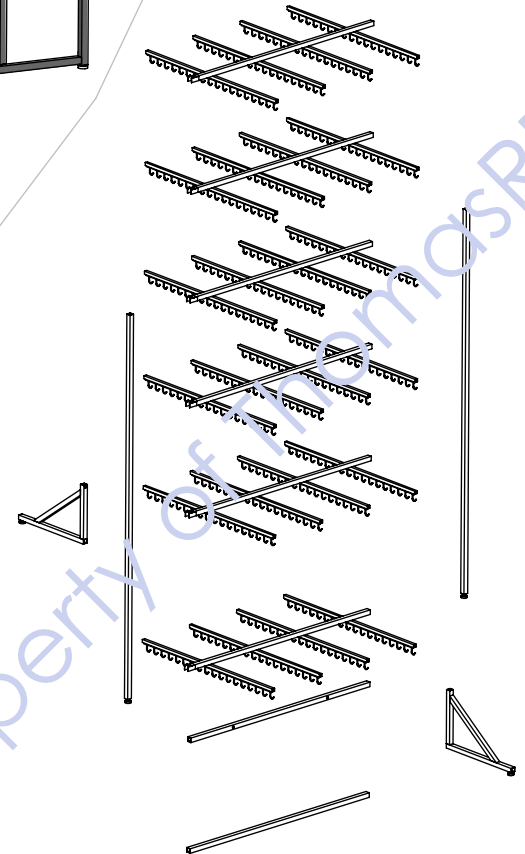


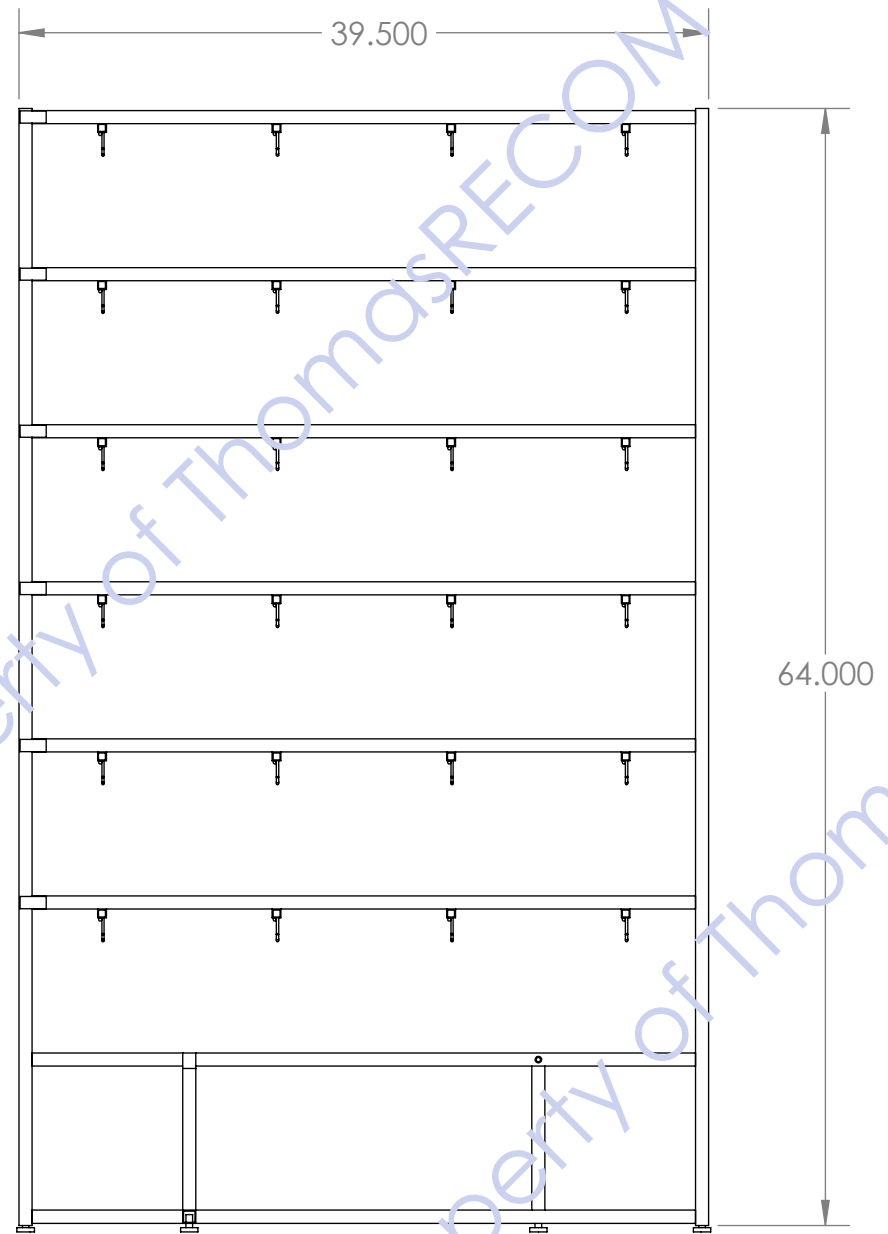
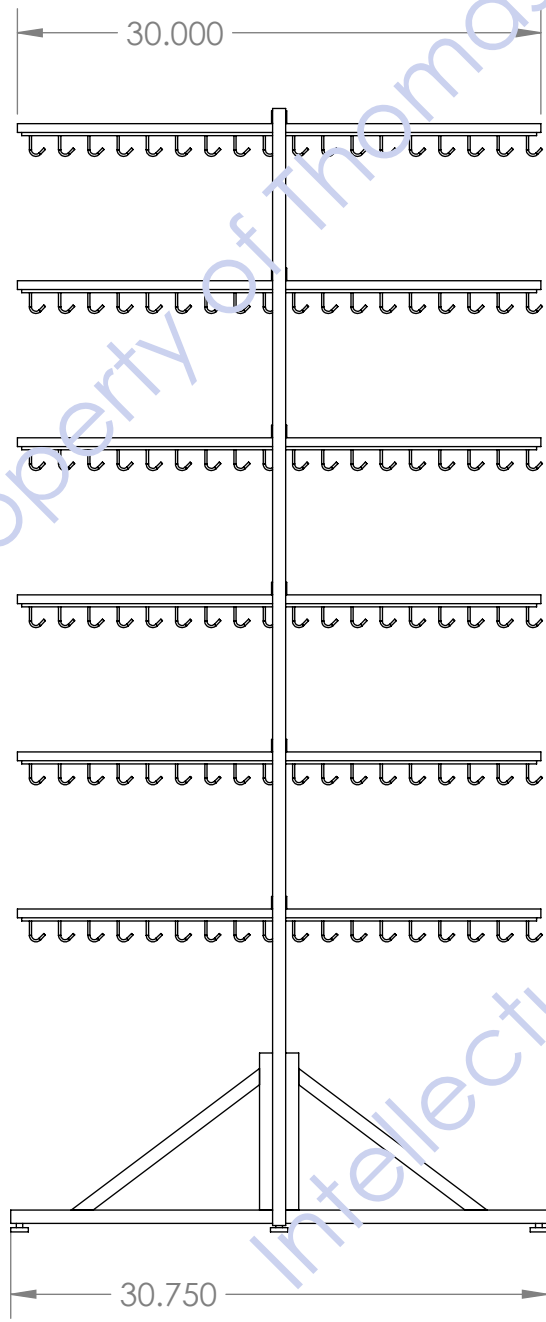
Back

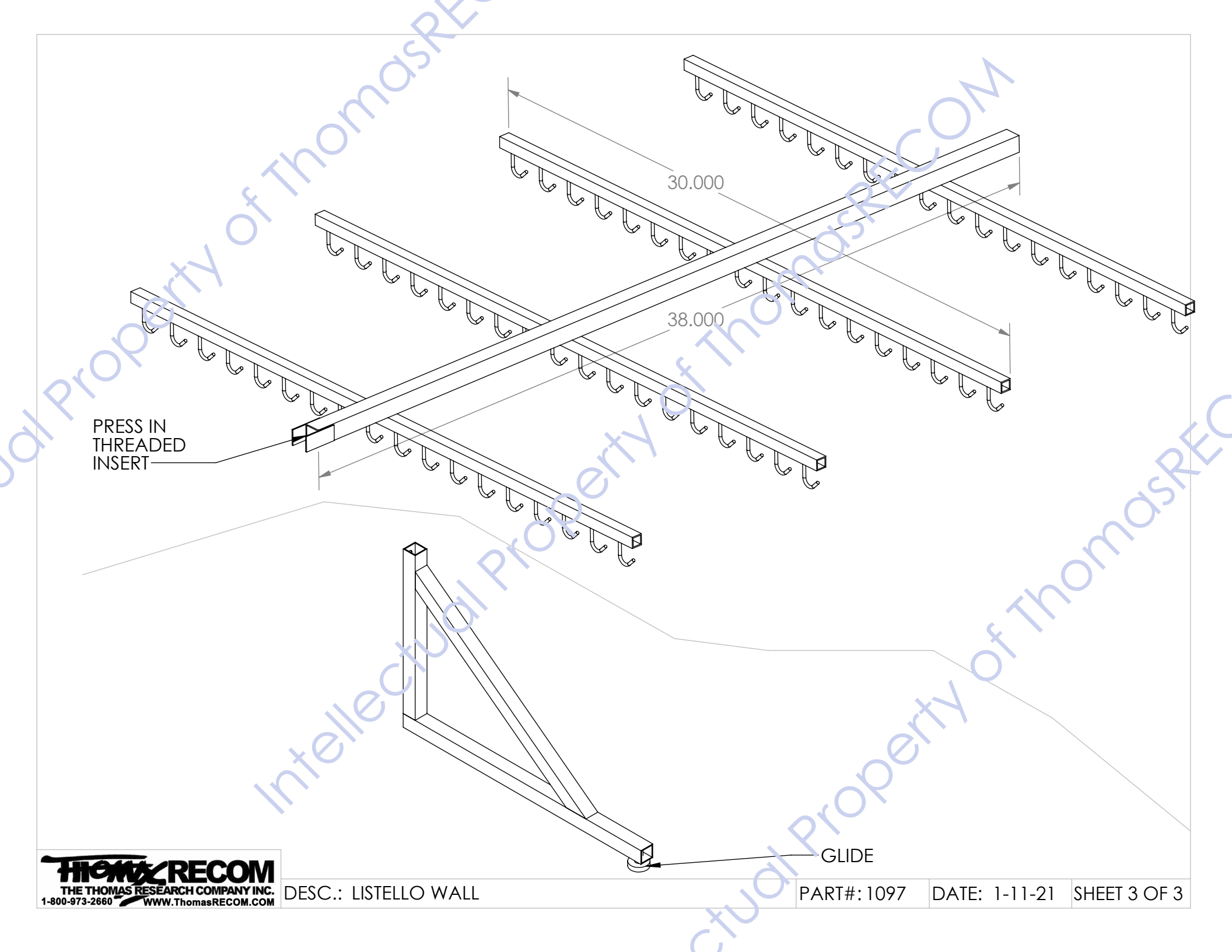


432 HOOKS

PARTS SHIP FLAT







PRESS IN
THREADED
INSERT

30.000

38.000

GLIDE