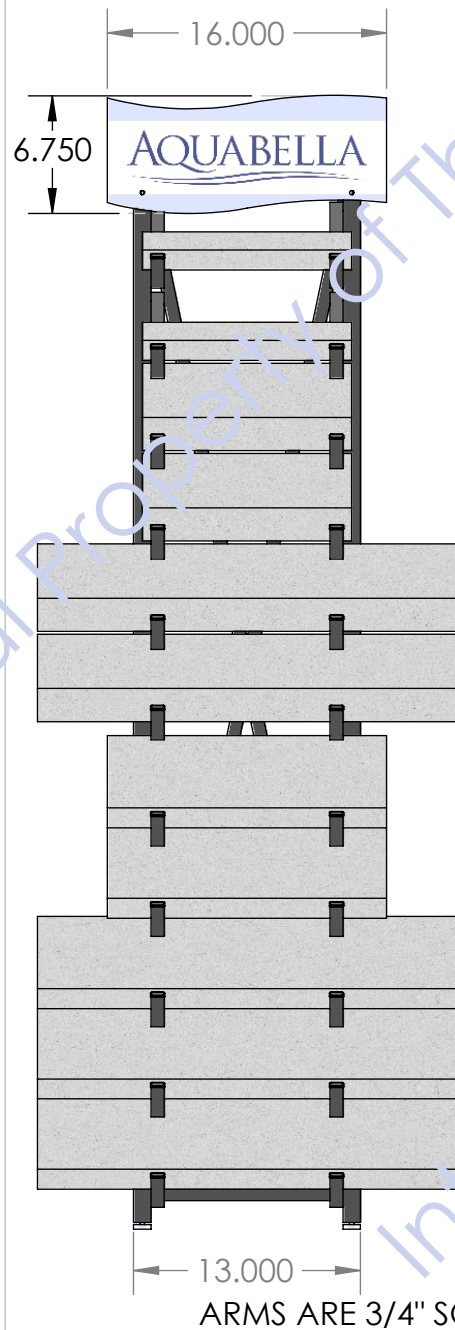
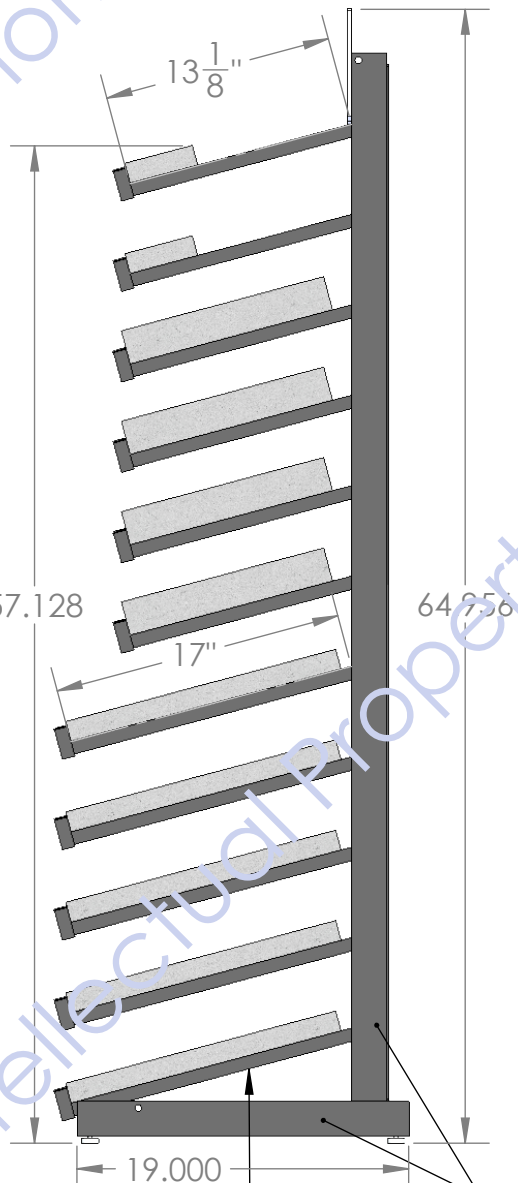


Back



ARMS ARE 3/4" SQUARE TUBING



1X2 TUBING

ALL WELDED STEEL CONSTRUCTION
INCLUDES STRUCTURAL "X" BRACE IN BACK
BLACK TEXTURED POWDERCOAT FINISH

PLASTIC TIPS

