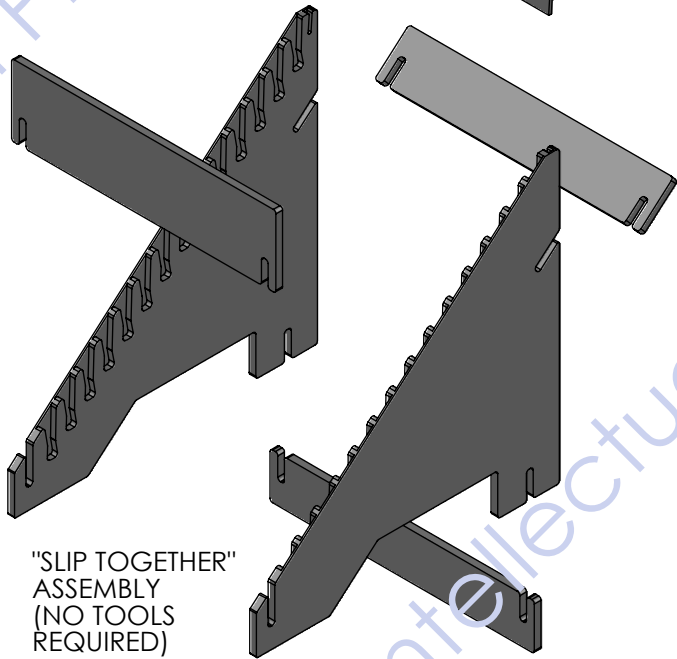
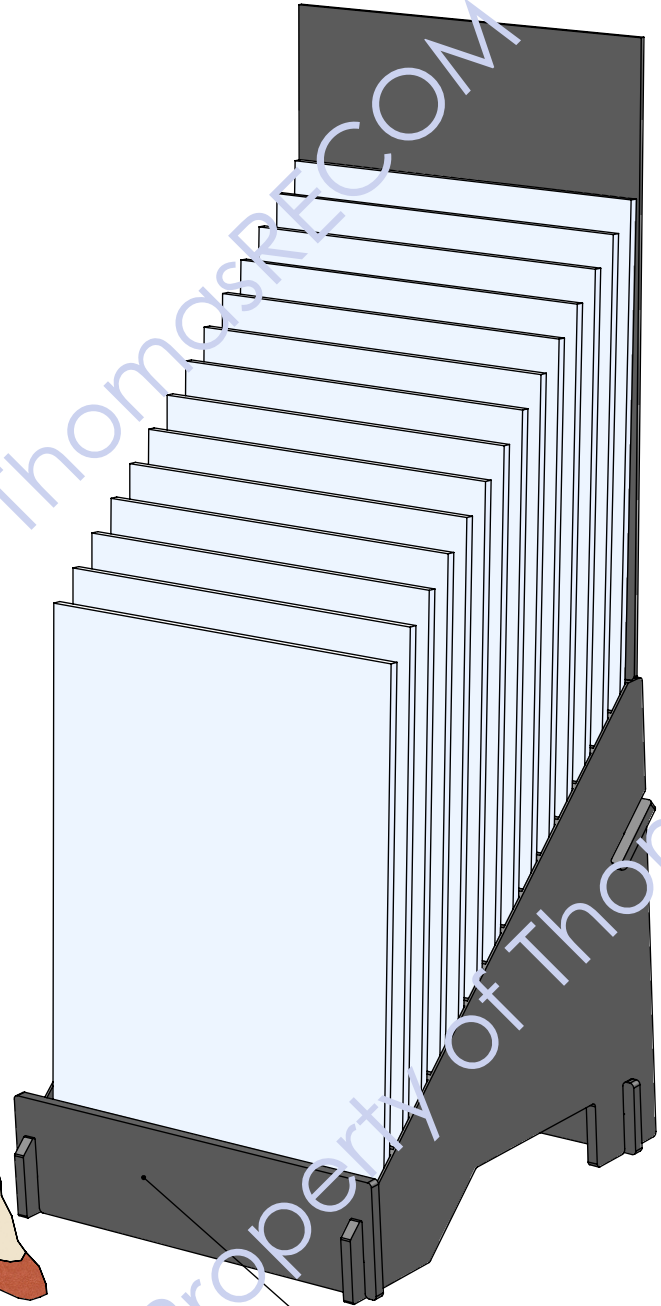


Back



"SLIP TOGETHER"
ASSEMBLY
(NO TOOLS
REQUIRED)



GRAPHIC CAN BE
APPLIED TO FOOTER

"SLIP TOGETHER"
ASSEMBLY
(NO TOOLS
REQUIRED)

SIGN HEADER PANEL,
ThomasRECOM TO APPLY
GRAPHICS

$\frac{3}{4}$ "
SLOT
SIZE

$1\frac{9}{16}$ "

ACCOMMODATES
UP TO
 $\frac{1}{2}$ " THICK
SAMPLES

$8\frac{7}{8}$ "

$27\frac{13}{16}$ "

29"

